

INTEGRATO Z





Particularly suitable for wall units with weight-bearing bottoms.  
 A  $\varnothing$  8mm through hole in the furniture bottom allows the adjustment of the independent glide by using a S6 mm allen wrench or both cross and blade screwdriver.

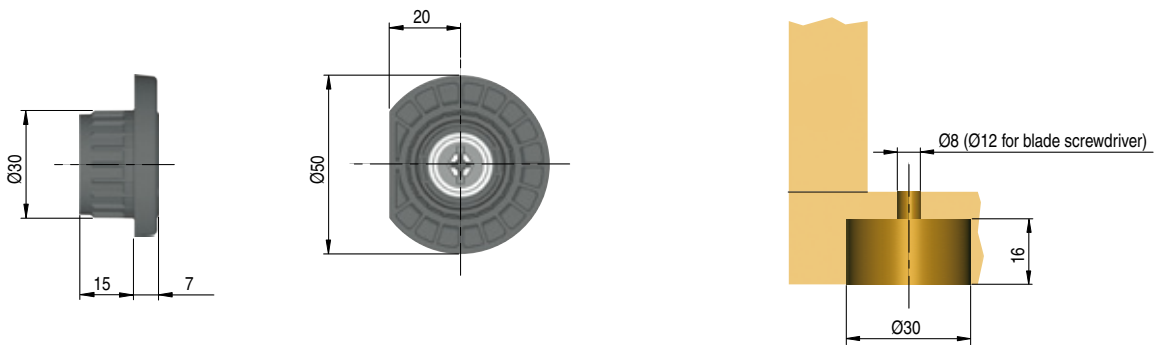
Materials: Zinc alloy and Engineering Plastic.  
 Capacity Loading: 175 Kg each

Tested according to Italian CATAS Institute requirements.

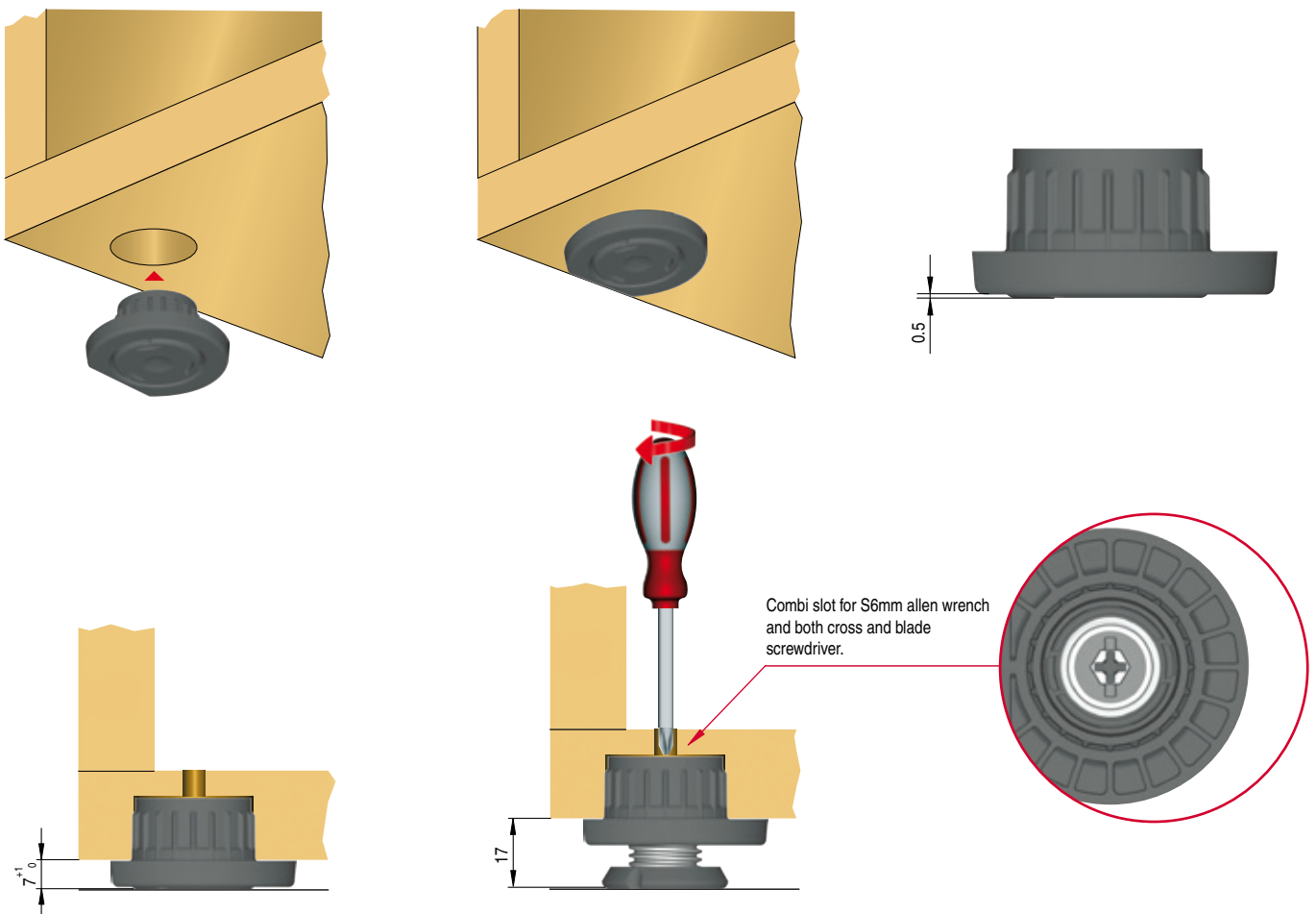
| Part. no   | Finish |
|------------|--------|
| 30108010EA | black  |



## DRILLING PLAN



## APPLICATION & ADJUSTMENT



Adjustment from 7 to 17mm

