



LED2103
LED2104



LED3103
LED3104
LED3105

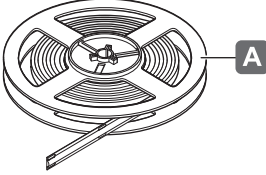
833.74.500-503
833.74.505-508
833.74.510-513
833.74.515-518
833.76.500-503

833.76.505-508
833.76.510-513
833.76.515-518
833.76.520-523
833.76.525-528

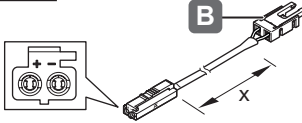
	12V System 24V System	W/m	← max. (m) →					mm/in	T _A
			20W	40W	60W	90W	120W		
LOOK 12V	LED2103	4.8	4.1	4.8	12.5			5000 x 8 x 1.9/ 196.85 x 0.31 x 0.07	-20°C - +45°C
	LED2104	9.6	2.0	4.1	8.3				
LOOK 24V	LED3103	4.8	4.1	8.3	12.5	18.7	25.0	50000 x 8 x 1.9/ 1968.5 x 0.31 x 0.07	-4°F - +113°F
	LED3104	9.6	2.0	4.1	6.2	9.3	12.5		
	LED3105	14.4	1.3	2.7	4.1	6.2	8.3		

732.28.375

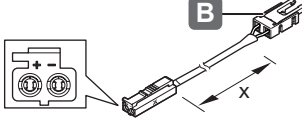


A



B

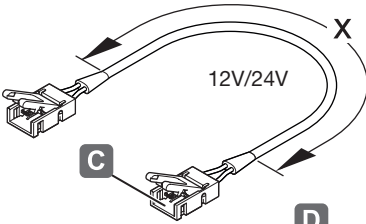
x	12V
100/3.93	833.74.694
500/19.68	833.74.695
2000/78.74	833.74.696



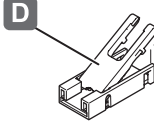
B

x	24V
100/3.93	833.75.762
500/19.68	833.75.763
2000/78.74	833.75.764

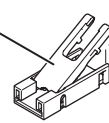
HDE 21.02.2024



C

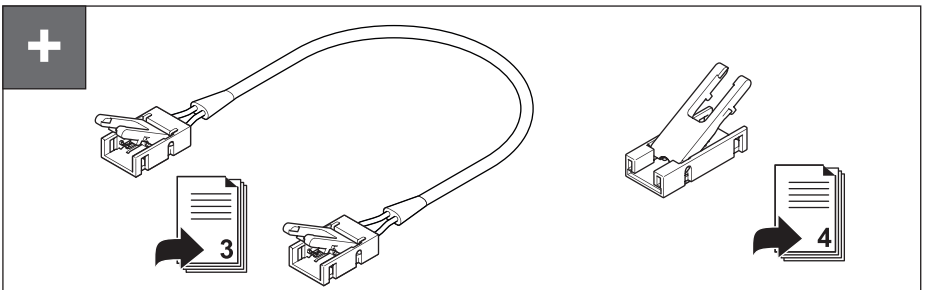
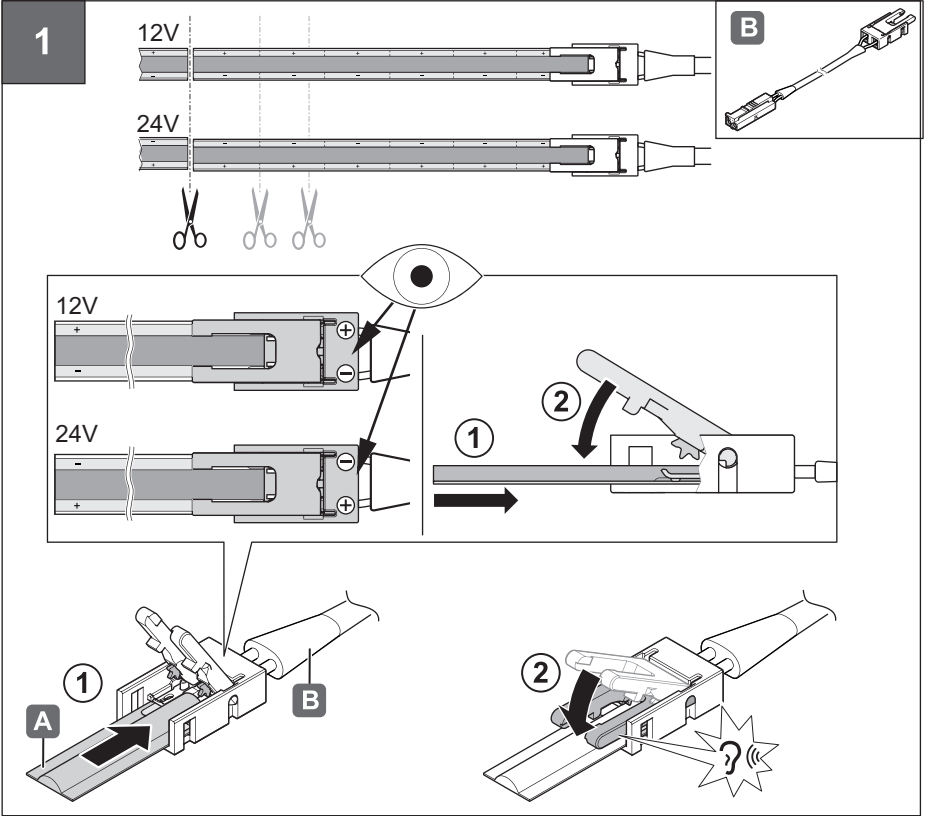
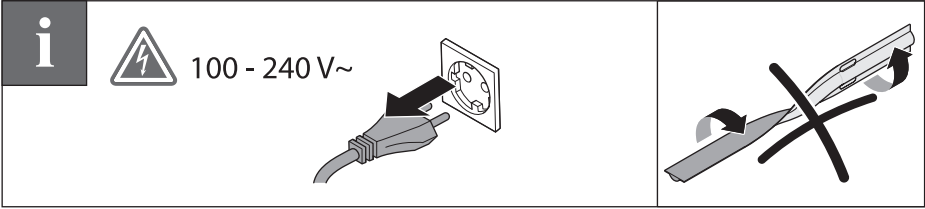


D



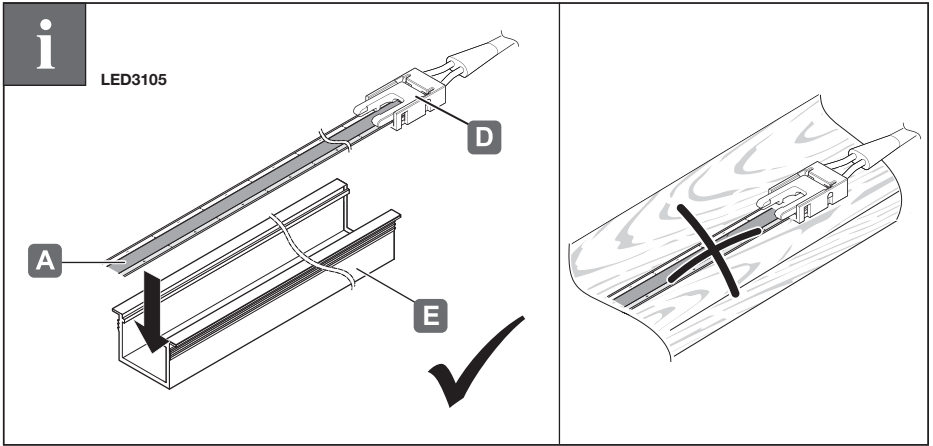
833.75.767

x	12V/24V
50/1.97	833.75.765
2000/78.74	833.75.766

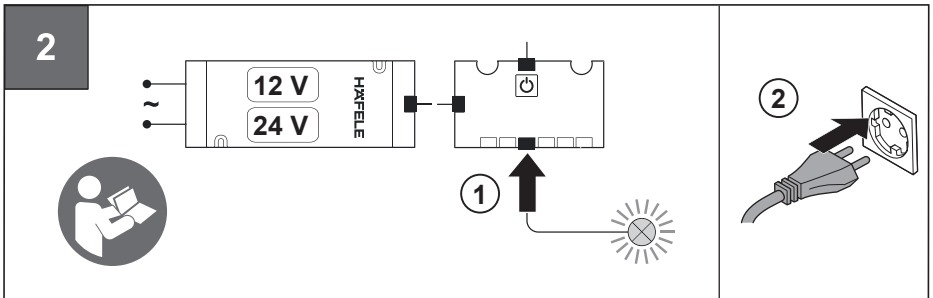


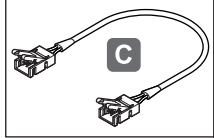
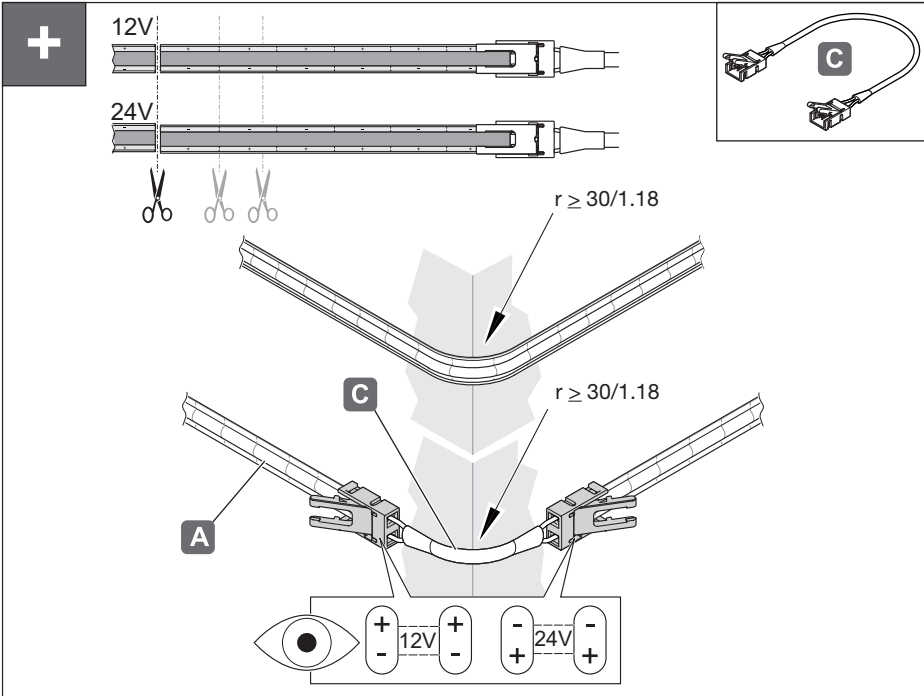
732.28.375

HDE 21.02.2024

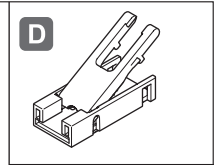
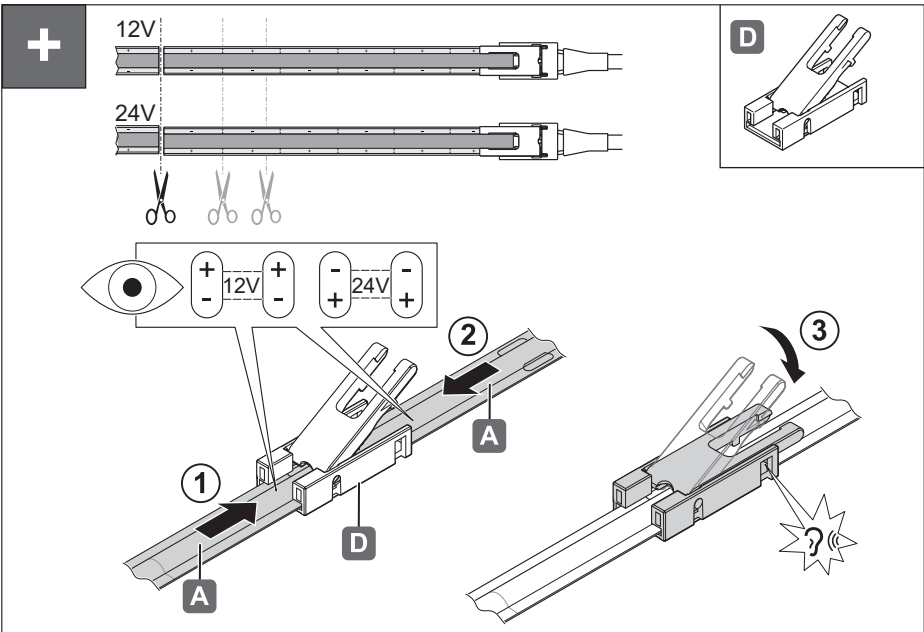


732.28.375





732.28.375



HDE 21.02.2024