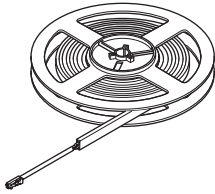


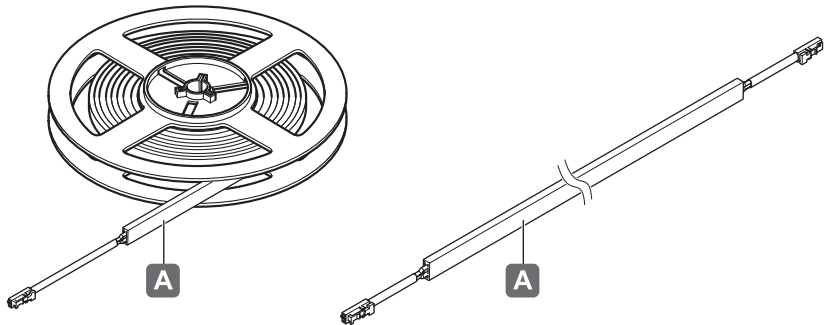


LED 2099
LED 3099

| | |
|------------|------------|
| 833.75.260 | 833.74.260 |
| 833.75.261 | 833.74.261 |
| 833.75.262 | 833.74.262 |
| 833.75.263 | 833.74.263 |



732.28.393



| | 12/24 V System | W/m | ← max. (m) → | | | | | ⊕ | ⊕ ↓ 1 mm | T _A |
|-----|-------------------|-----|--------------|-----|-----|-----|------|----------------|------------------------------------|----------------|
| | | | 20W | 40W | 60W | 90W | 270W | | | |
| 12V | LED2099 | 9,6 | 2,0 | 4,1 | 6,2 | – | – | 3.000 x 4 x 10 | -20 °C – +45 °C -4 °F – +113 °F | |
| 24V | LED3099 | 9,6 | 2,0 | 4,1 | – | 9,3 | 9,3 | | | |

HDE 31.03.2022



