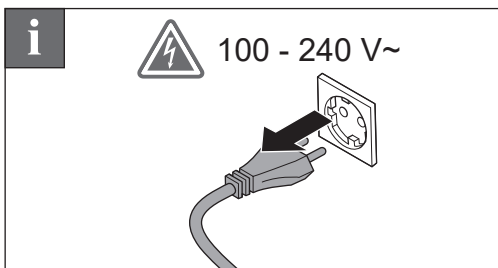
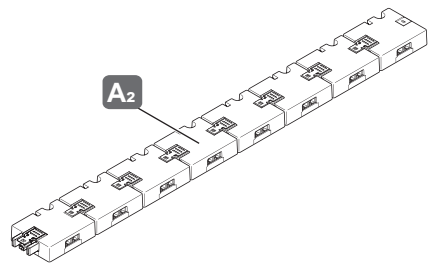
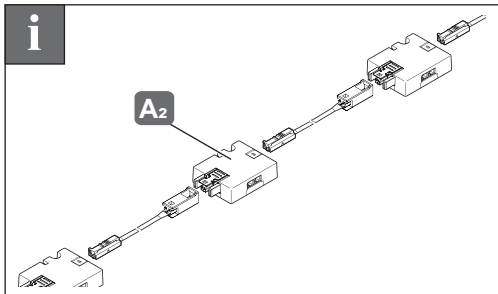
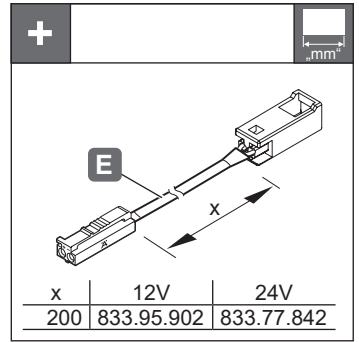
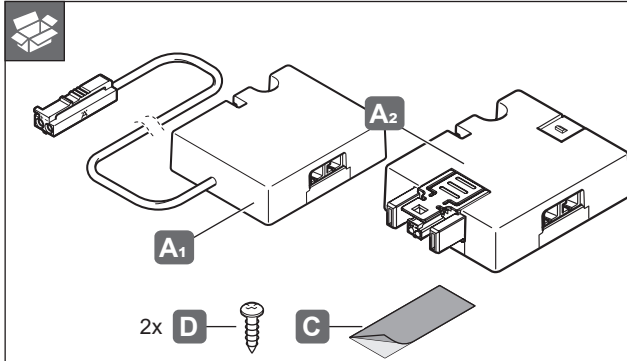




2-way distributor
12 V / 24 V

833.77.842 833.95.901
833.77.843 833.95.902

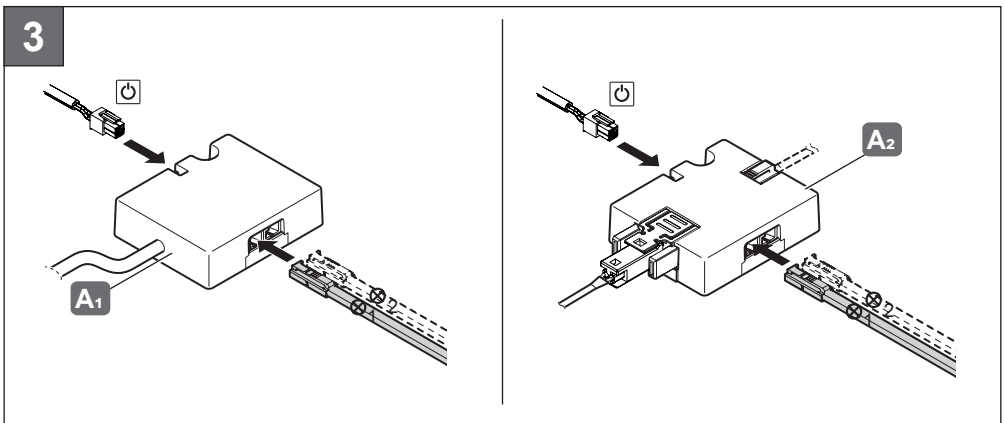
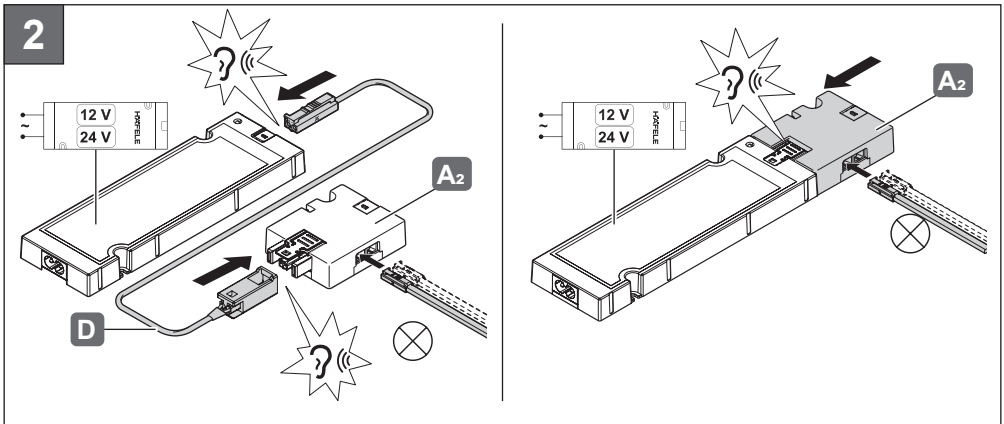
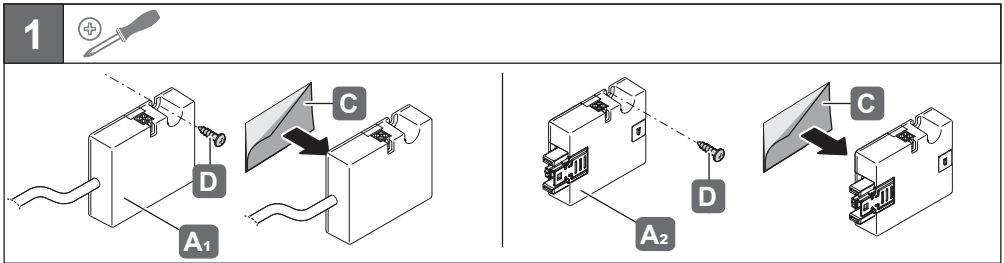
		12/24 V System	= V_{OUT}	W	A	mm	T_A
833.95.901		12 V	2 x 12 V	0 - 60 W	5,00	60 x 50 x 16	-20 °C - +45 °C -4 °F - +113 °F
833.95.902							
833.77.842		24 V	2 x 24 V	0 - 120 W	5,00		
833.77.843							



732.24.106

[A1325]

HDE 15.12.2022



i

<p>12V System</p> <p>$\otimes_1 + \otimes_2 \leq 60 \text{ W}$</p>	<p>24V System</p> <p>$\otimes_1 + \otimes_2 \leq 120 \text{ W}$</p>
--	---

732.24.106

[A 1325]

HDE 15.12.2022