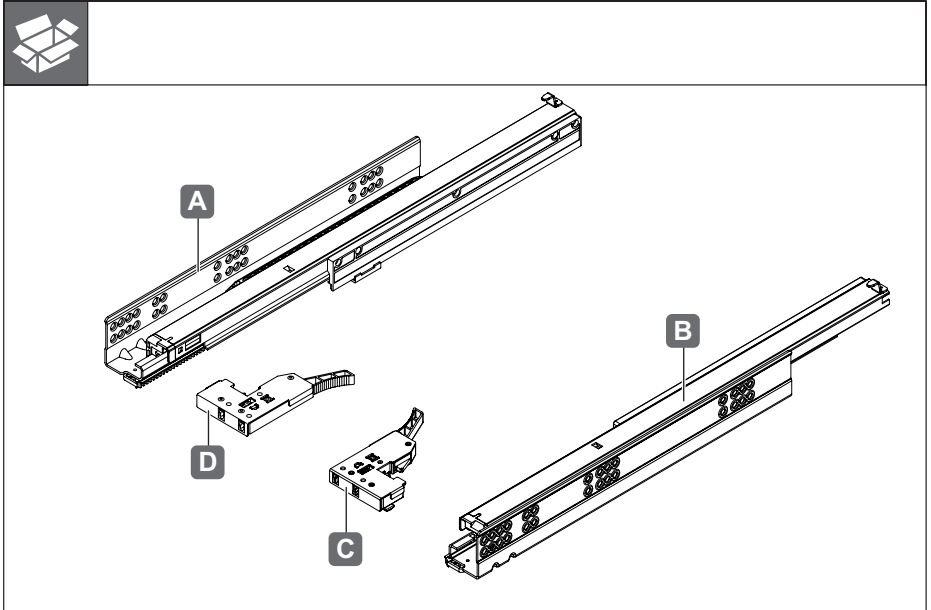
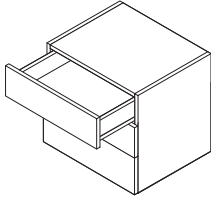


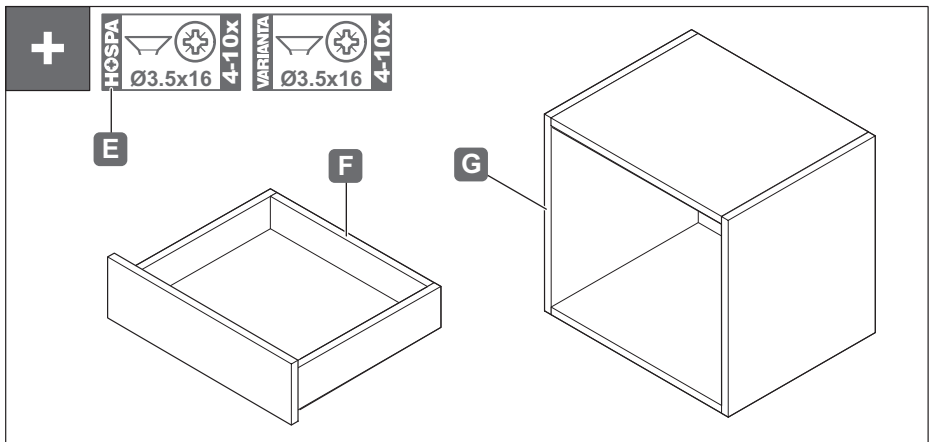


Matrix Runner UM A synchron

433.03.65x
433.03.67x



732.24.526



HDE 10.03.2022

i



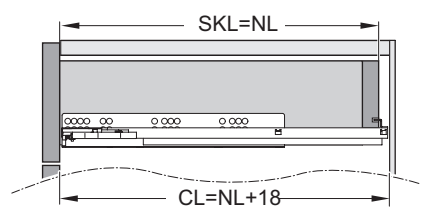
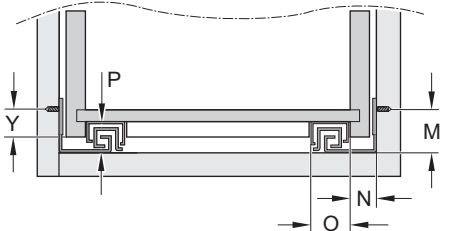
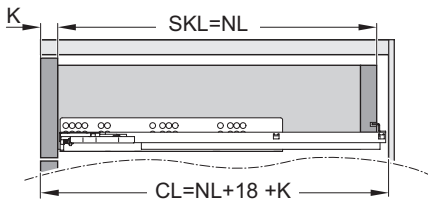
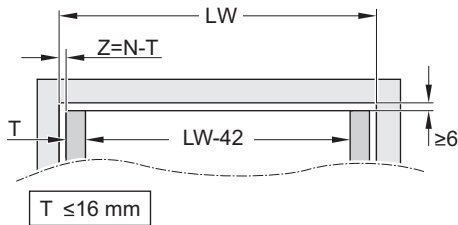
Ø 21x15
Ø 30x15



Ø 6

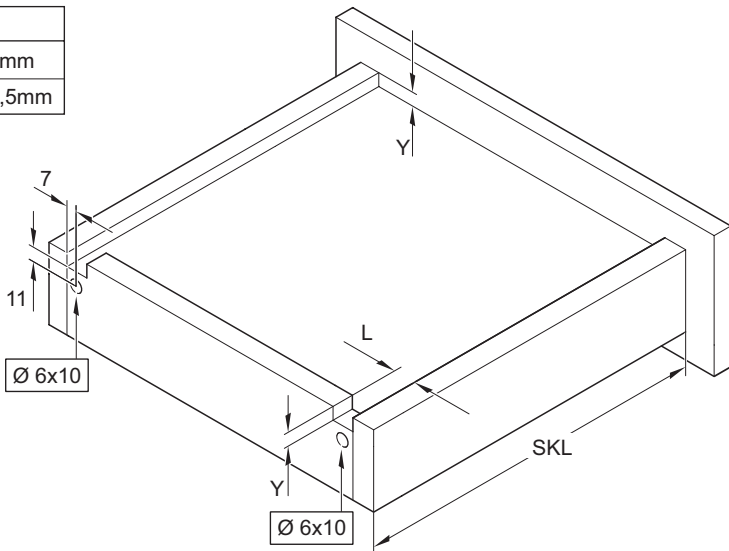


„mm“



	L=38mm	M=47,5mm	O=26,6mm	P=38mm	11mm ≥ Y ≥ 9mm
--	--------	----------	----------	--------	----------------

T	N
16mm	21mm
19mm	24,5mm



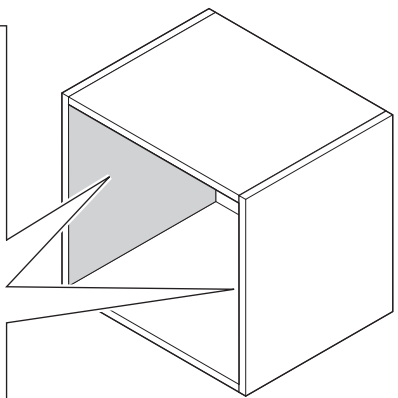
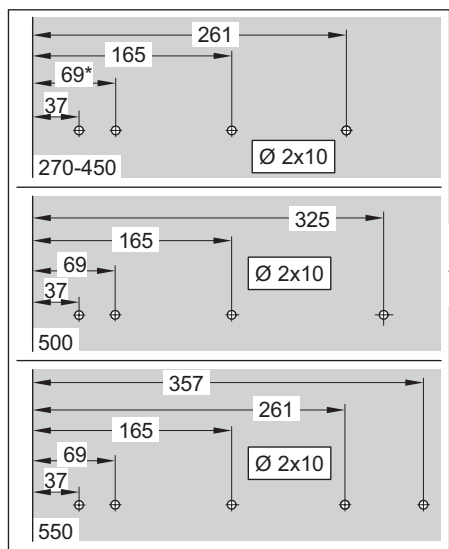
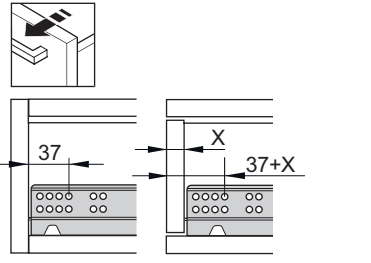
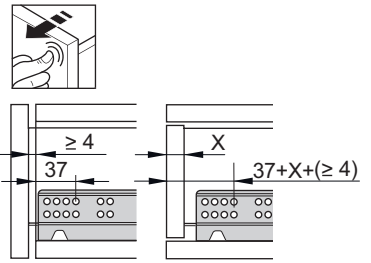
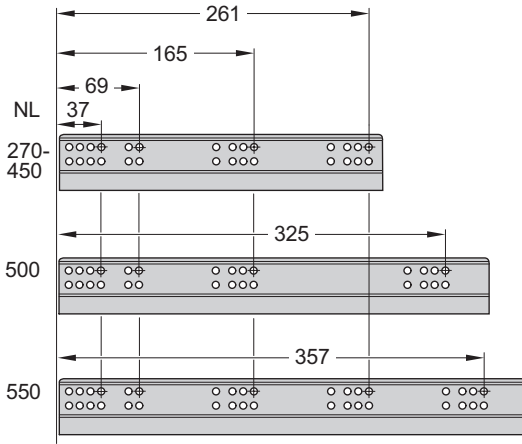
732.24.526

HDE 10.03.2022

i



mm



732.24.526

HDE 10.03.2022

1



PZ 2

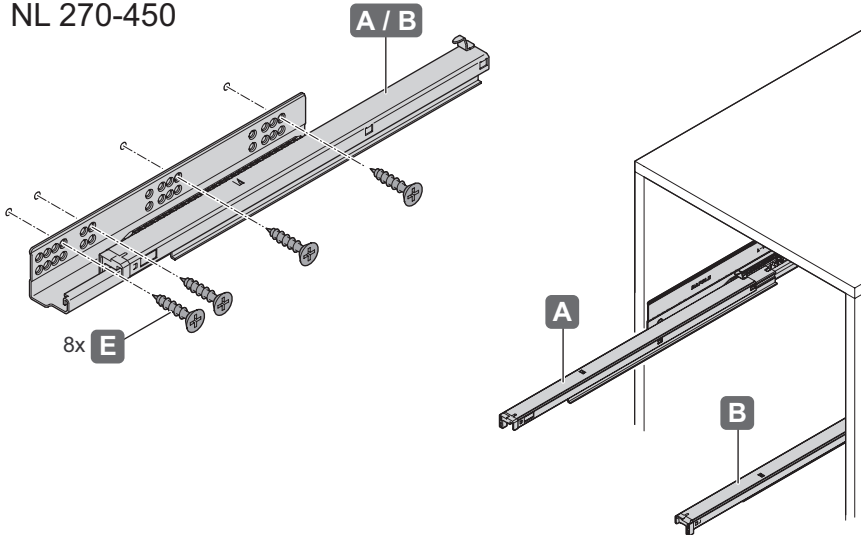
HCSPA



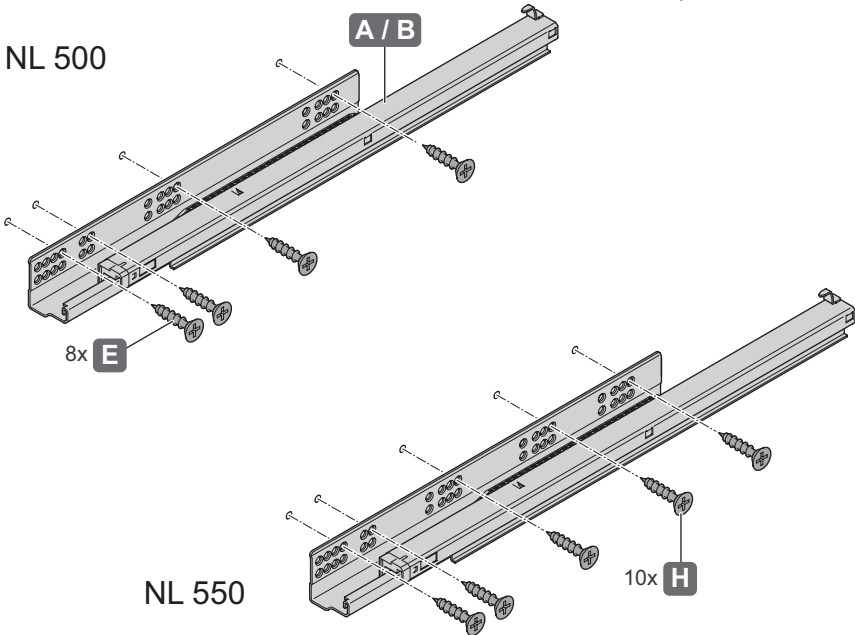
Ø3.5x16

6-10X

NL 270-450



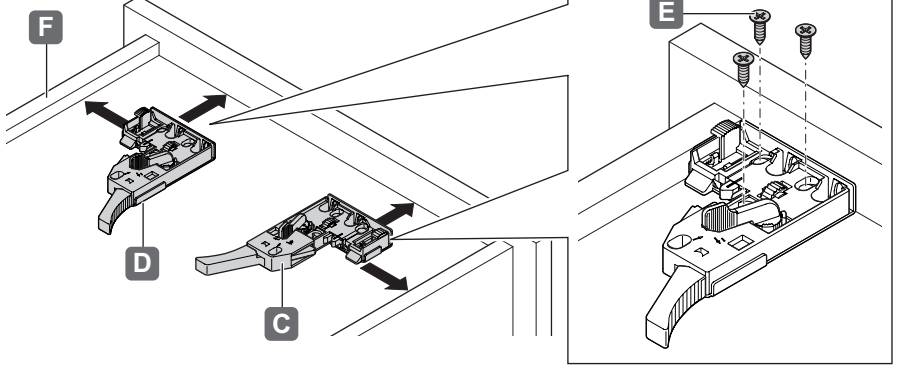
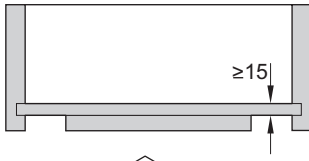
NL 500



732.24.526

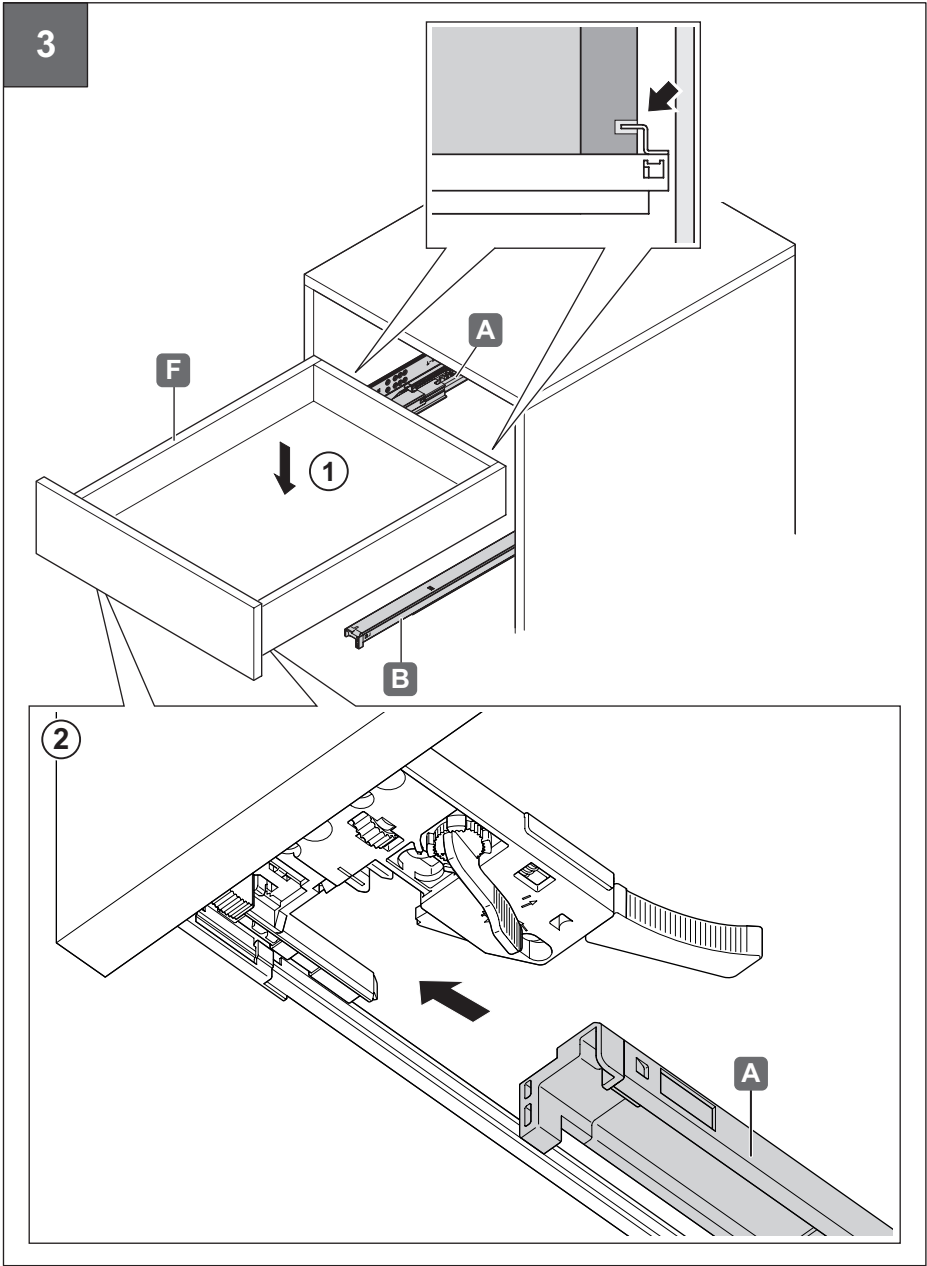
HDE 10.03.2022

2



732.24.526

HDE 10.03.2022

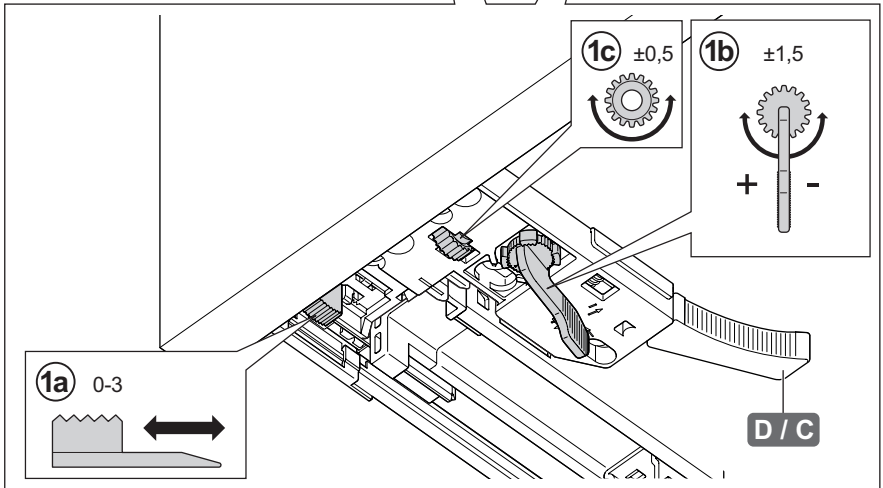
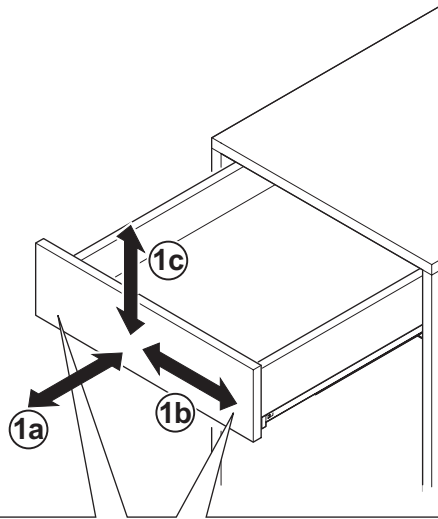


732.24.526

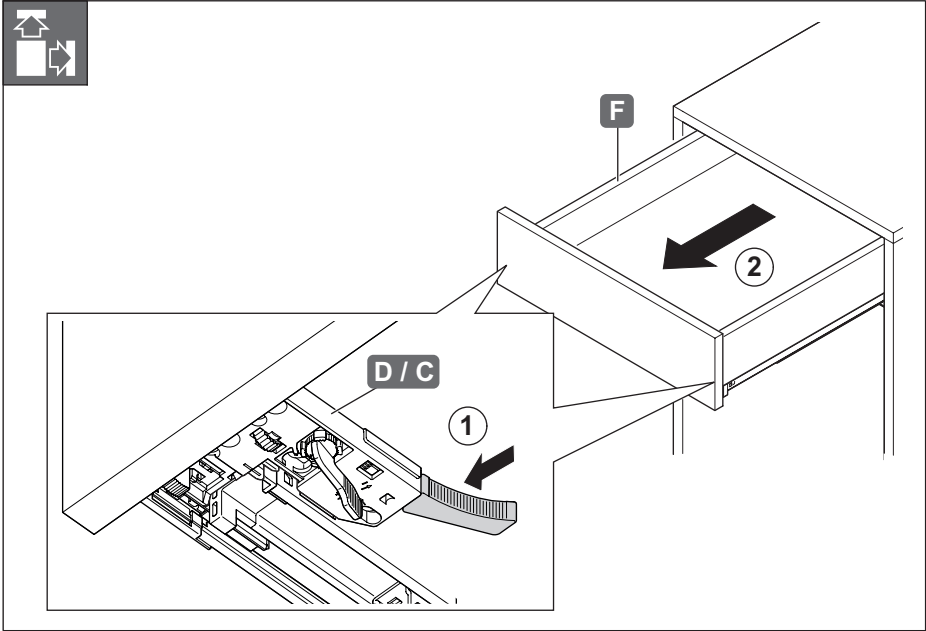
HDE 10.03.2022



732.24.526



HDE 10.03.2022



732.24.526