



Target



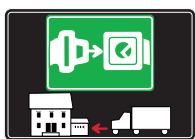
CONNECTINGS





SYMBOLS AND FINISHES LEGEND

SYMBOLS



= SHELF SAFELY LOCKED DURING TRANSPORTATION AND AT HOME.



= ANTI-TURNOVER LOCKING SYSTEM



= NORMS / PATENTS



= PHILLIPS / POZIDRIV



= WITH BUFFER



= PART NO.



= BLADE SLOT



= WITH MAGNET



= PCS. PER PACKAGE



= COMBI SLOT



= HEXAGONAL SOCKET



= NEWTON



= CAPACITY LOADING



= HEXALOBULAR SOCKET



= FRICTION



= WOOD / GLASS THICKNESS



= COUNTERSUNK HEAD



= AUTOMATIC



= HOLE DIAMETER



= PAN HEAD



= DROP DOWN



= DIAMETER



= FLANGE HEAD



= LENGTH



= FLAT HEAD



= STANDARD HINGE



= HEIGHT



= TRILOBULAR SCREW



= KIMANA HINGE



= RIGHT VERSION



= SELF-TAPPING SCREW



= FLAP HINGE



= LEFT VERSION



= EURO THREAD



= WITH SPRING



= SETTING CODE



= METRIC THREAD



= WITHOUT SPRING



= PCS. PER PAD



= PRE-INSERTED SCREW



= REVERSED SPRING



= CUT ON REQUEST



= PRE-INSERTED SCREW AND SPREADING BUSH



= SELF ADHESIVE



= WITH FLANGE

NOTE: Printing errors and omissions may exist despite our best efforts to ensure accuracy. We reserve the right to alter specifications without notice.

MATERIALS

ZA = Zinc Alloy	ST = Steel	HSS = High Speed Steel	BR = Brass	ABS = Acrylonitrile Butadiene Styrene
ZAnk = Nickel-plated Zinc Alloy	STzk = Zinc-plated Steel	AL = Aluminium	WD = Wood	EVA = Ethylene Vinyl Acetate

EP = ENGINEERING PLASTIC	+ EP = other engineering plastic available on request	SR = SOFT RUBBER	+ SR = other soft rubber available on request
--	--	--------------------------------	--

EPn = Natural Engineering Plastic	EPc = Clear Engineering Plastic	SRn = Natural Soft Rubber
EPw = White Engineering Plastic	EPg = Grey Engineering Plastic	SRw = White Soft Rubber
EPwg = Water Green Engineering Plastic	EPa = Anthracite Engineering Plastic	SRb = Black Soft Rubber



FINISHES



+ **OTHER FINISHES AVAILABLE ON REQUEST**

PART NO.	FINISHES	PART NO.	FINISHES	PART NO.	FINISHES
OO	Insignificant finish	IF	Middle Grey	RO	Red
AA	Natural	IJ	Light Grey	UT	T-Met 9007
AB	White	IL	Grey 20	UZ	T-Met
AE	White 9010	IN	Grey met. 26	WA	Bronzed
EA	Black	JB	Bright Aluminium	WI	Burnished
EC	Matt Black	JC	Aluminium - Chrome	XD	Satin-finished Steel
EE	Anthracite	JD	Matt Aluminium	YA	Nickel-plated
EW	Grey 9007	JE	Satin-finished Aluminium	YB	Bright Nickel-plated
FU	Gunmetal	JF	Aluminium - Brass	YC	Matt Nickel-plated
FV	Gunmetal V52	JG	Aluminium 5	YD	Satin-finished Nickel-plated
GR	Raw	JL	Aluminium PE 11	YQ	Black Nickel
HA	Brass-Plated	JM	Aluminium RAL 9006	Z9	Black Zinc
HH	Tropicalized	KA	Chrome	ZA	Zinc alloy
HL	Raw Brass	KB	Bright Chrome	ZN	Zinc-plated
HX	Graphite	KC	Matt Chrome	ZQ	Bright Gold
IA	Grey	LD	Brown 8019	ZY	Titanium
IB	Metallic Grey	NN	Metallic Beige	ZZ	Clear

TARGET J10

TARGET J10 is a structural connecting fitting with high fastening capacity, suitable for mounting with wood dowels.

TARGET J10 is an ideal solution for the installation of cabinets in tight spaces. It provides the possibility of pre-assembling into the panels without obstructing the packaging.

Through an additional drilling spot on the bottom panel, it allows to adjust the leveller placed underneath with a common allen wrench.

FEATURES AND BENEFITS

Easy pre-assembling

Simple pre-insertion into the panels. Conceived for automatic assembling.

Suitable for furniture in kit

Its unique features make TARGET the ideal solution for kit furniture.

No hardware kits

There is no need of hardware kits.

High-speed assembling

Mounting is extremely fast and efficient thanks to the pre-assembling of the panels.

Strong structural fastening

The panels are hard and securely fastened, therefore the cabinet is 100% stress-resistant.

Wide range of applications

Practical solution for a wide range of applications.



Interzum Award:
Intelligent material & design 2017

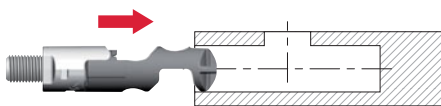
High Product Quality



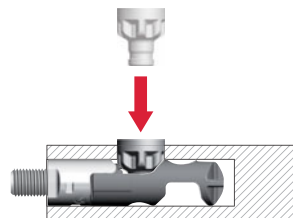
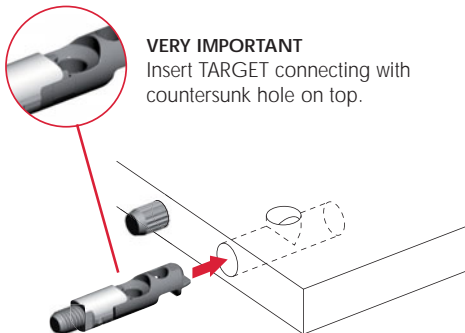
15 - 25 mm



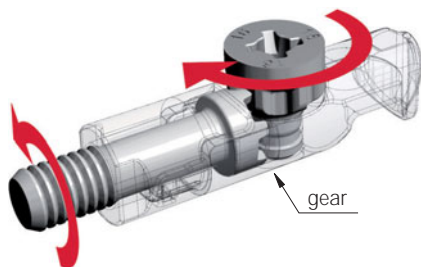
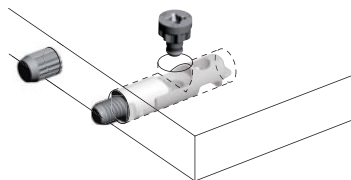
INSTALLATION



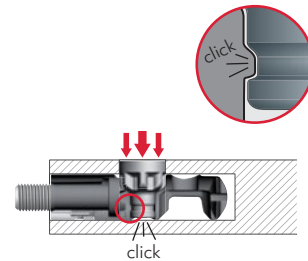
VERY IMPORTANT
Insert TARGET connecting with countersunk hole on top.



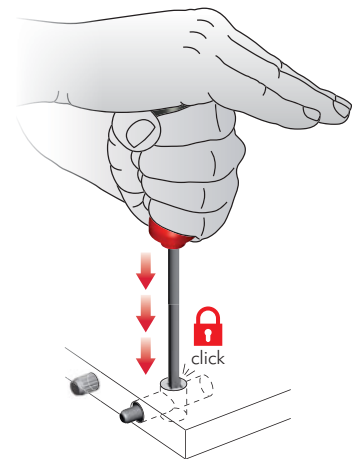
Place the pinion screw from above.



By turning the pinion screw, the threaded dowel makes a synchronized rotation.



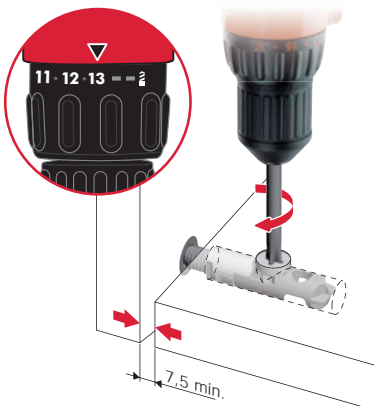
Press strongly with PZ2 cross screwdriver to slot the pinion screw in.



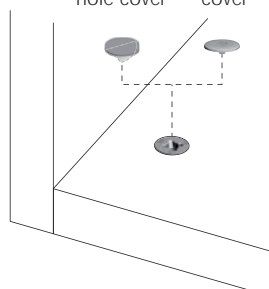
ASSEMBLING

VERY IMPORTANT

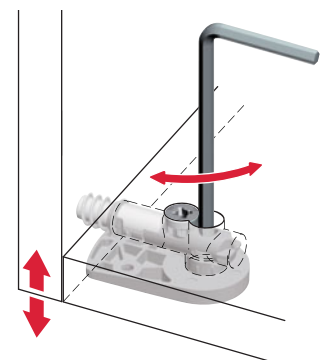
Cordless driver drill to be used **ONLY** with friction mode on.



adhesive hole cover
pinion screw cover



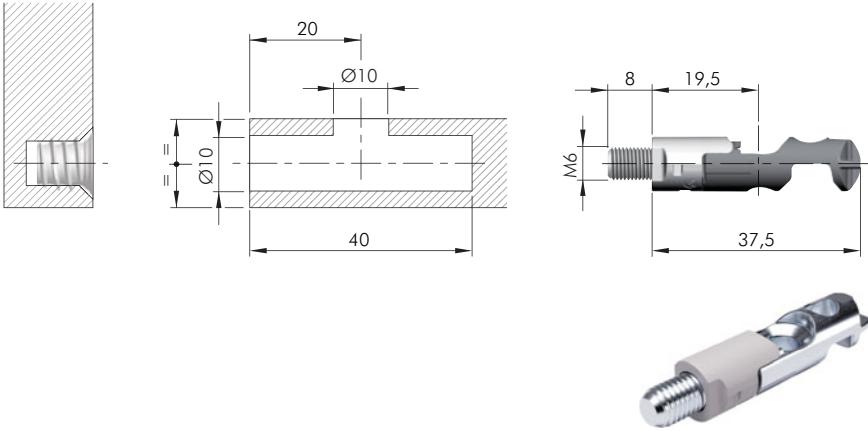
LEVELLER ADJUSTMENT



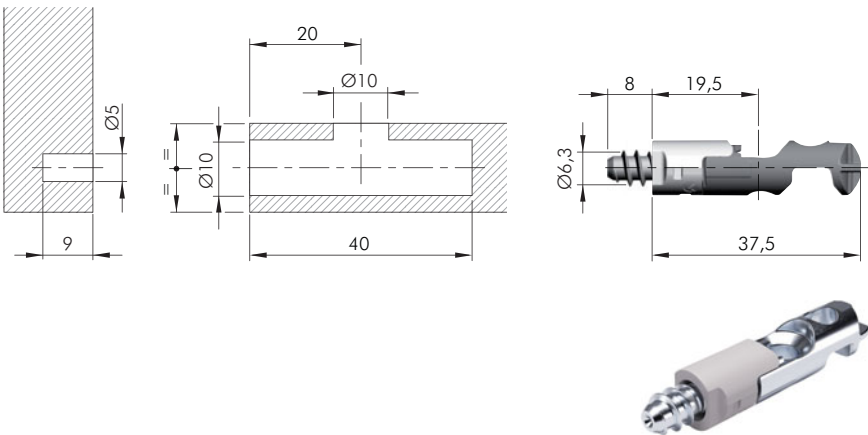
For details refer to the related section about adjustable feet available.



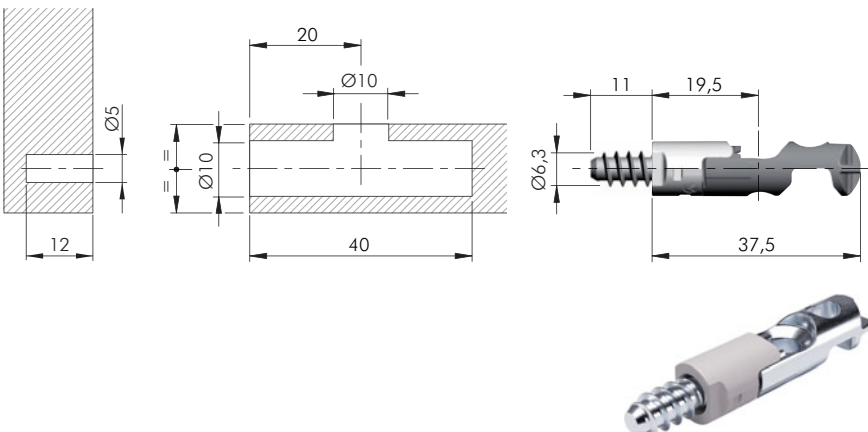
TARGET J10



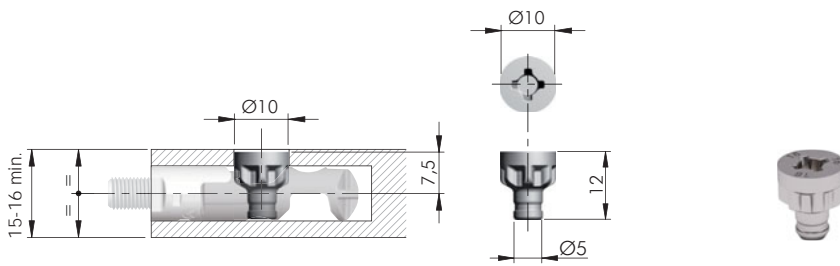
= M6
 ZA ST EP = 1000 pcs.
21802160ZN



= 1000 pcs.
 ZA ST EP **21803160ZN**

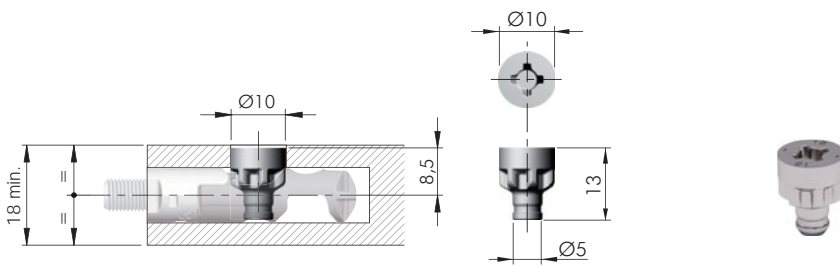


= 1000 pcs.
 ZA ST EP **21803220ZN**



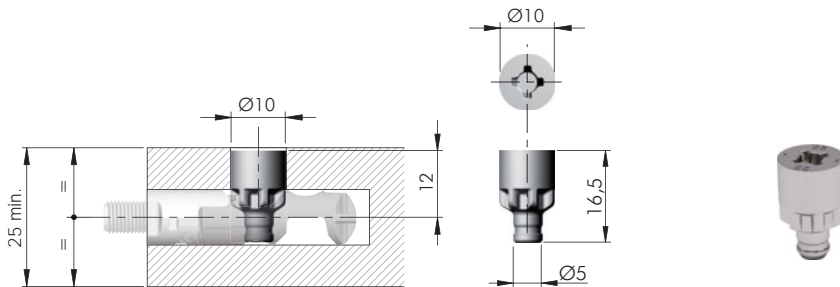
= PZ2 = Ø 10 mm
 = 15-16 mm min.
 = 2000 pcs.

21821300YA



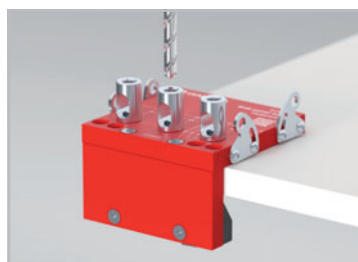
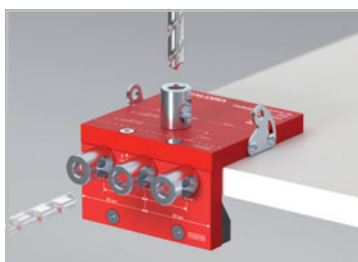
= PZ2 = Ø 10 mm
 = 18 mm min.
 = 2000 pcs.

21821320YA



= PZ2 = Ø 10 mm
 = 25 mm min.
 = 2000 pcs.

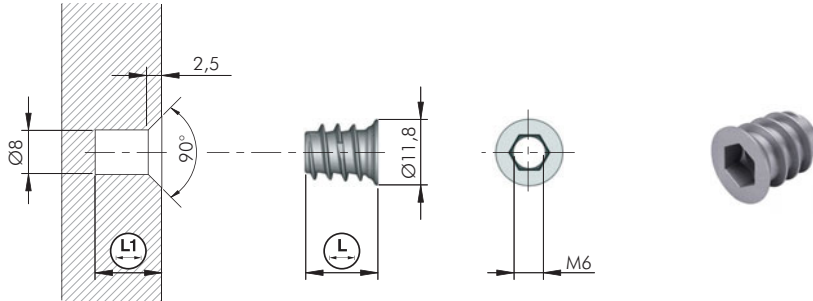
21821250YA



All information about drilling jigs are available at the end of the section Target.



TARGET FIXING ACCESSORIES

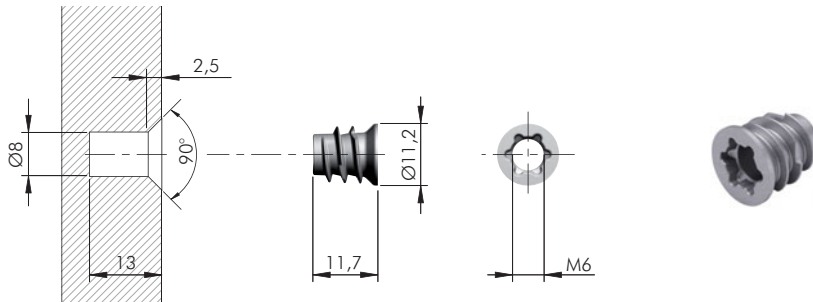


= Ø 8 mm
 = M6
 +

 = S6

 = 5000 pcs.

20102010GR		10	12
20102020GR		13	15
20102040GR		17	19

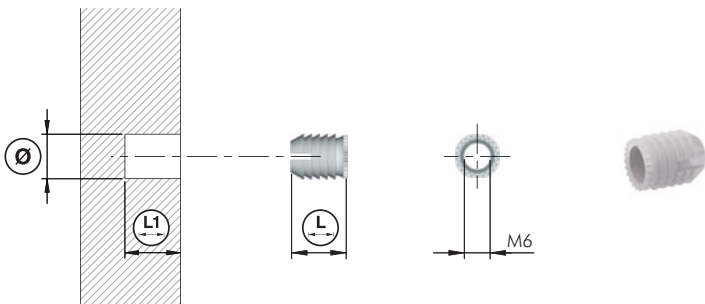


= Ø 8 mm
 = M6
 +

 = T45

 = 5000 pcs.

20102150GR	



= Ø 8, Ø 10 mm

20303030AA		8	11	13	5000
20304030AA		10	11	13	1000
20304040AA		10	13	15	1000

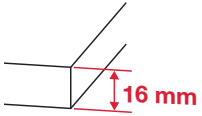
TARGET J10 PINION SCREW COVER



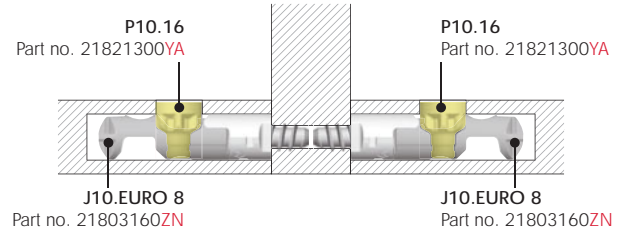
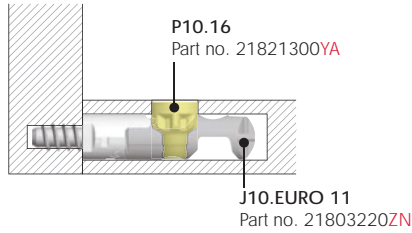
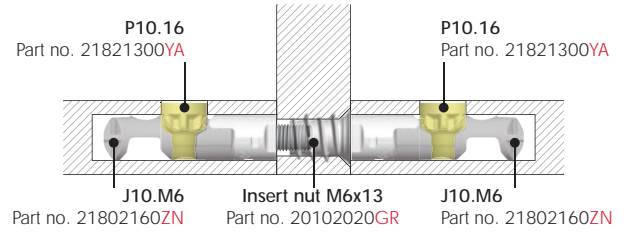
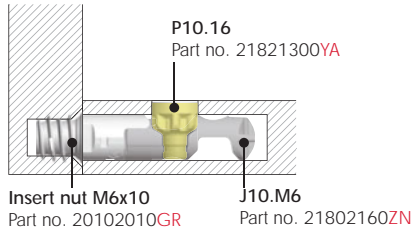
 = 5000 pcs

21893000AB	
21893000IJ	
21893000EE	

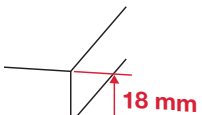
M6 thread



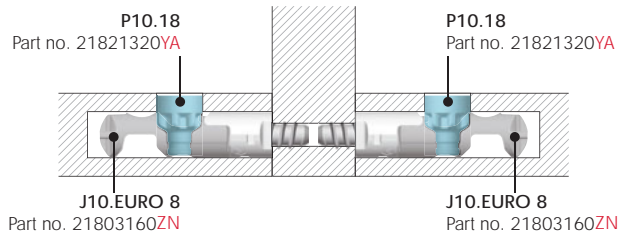
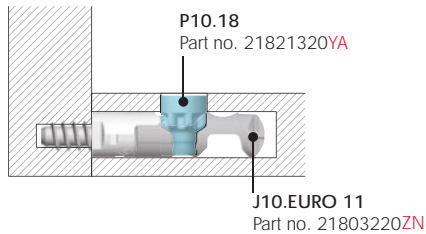
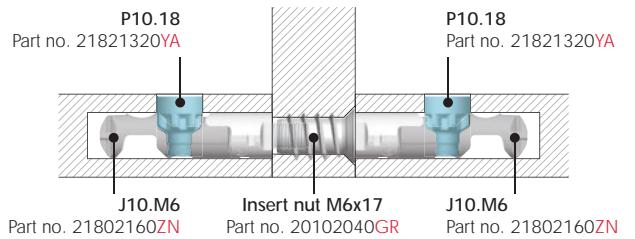
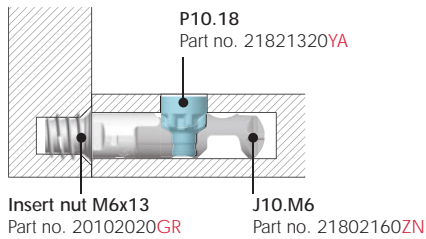
Euro thread



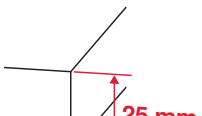
M6 thread



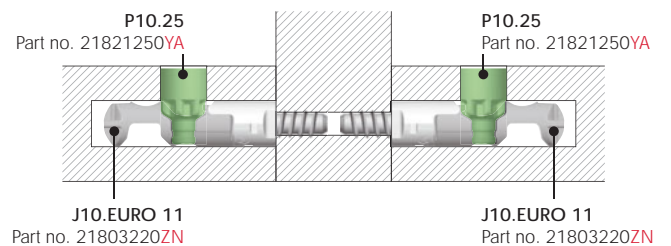
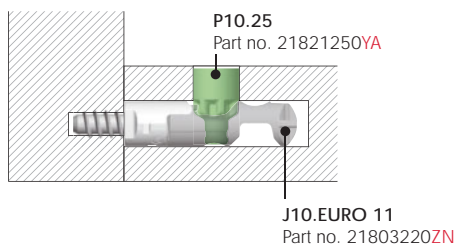
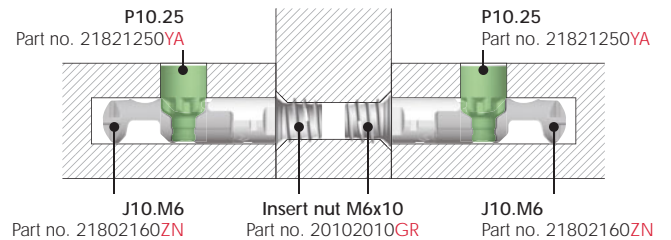
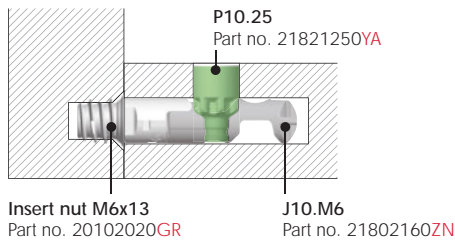
Euro thread



M6 thread



Euro thread





LH7.28 ADJUSTABLE LEVELLER FOR TARGET J10

LH levellers include a range of adjustable feet especially conceived for cabinet construction with TARGET J10 and TARGET J12.

Both LH7.28 and LH7.20 are suitable for wall units with weight-bearing bottoms and offer 5 mm adjustment with leveller safety locking when fully adjusted.

The engineering plastic glide is independent to prevent the scratching of the floor.
The loading capacity is 150 Kg each for both versions.

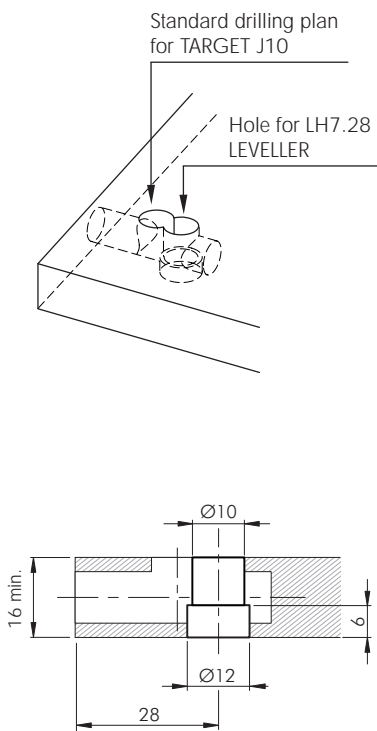
Specific features of LH7.28:

- Minimum panel thickness 16mm in combination with Target J10.
- Adjustment to be carried out with an S4 key by drilling a bespoke hole on the panel.

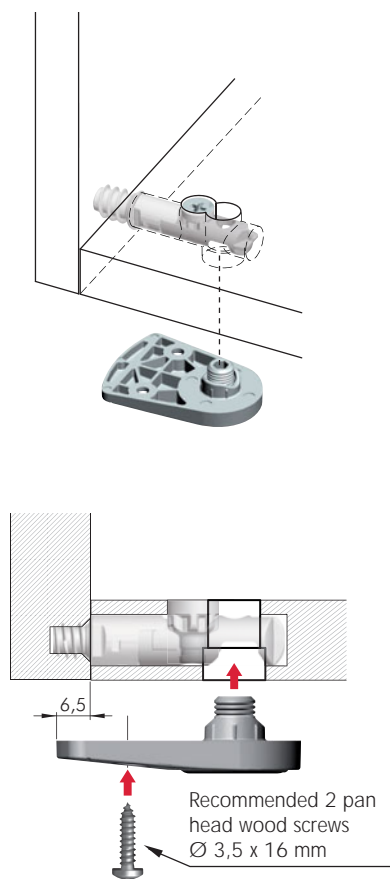
150 Kg per piece



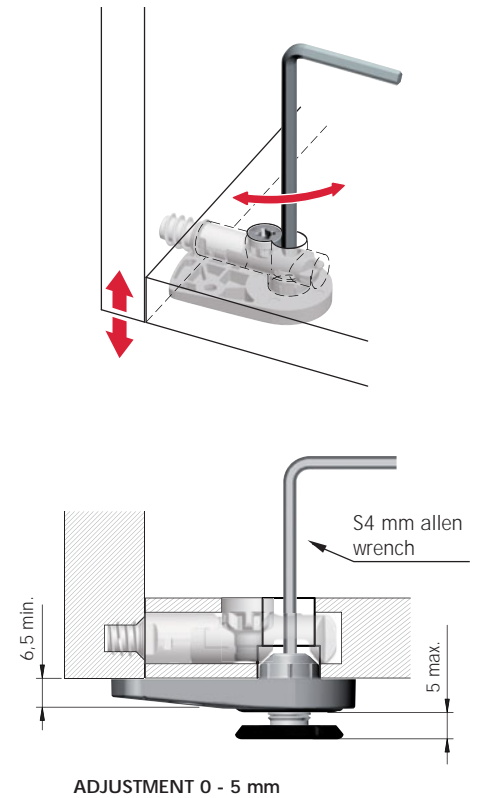
DRILLING PLAN DETAIL



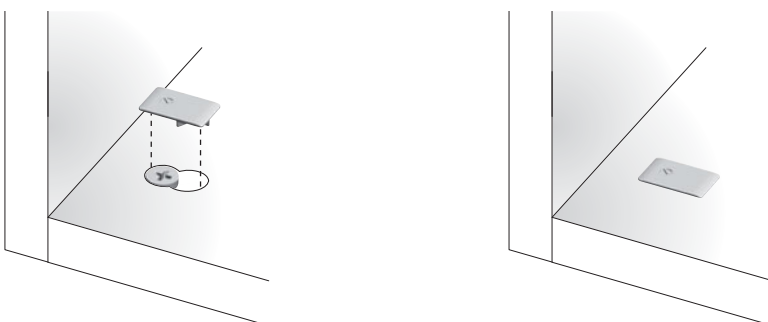
INSTALLATION

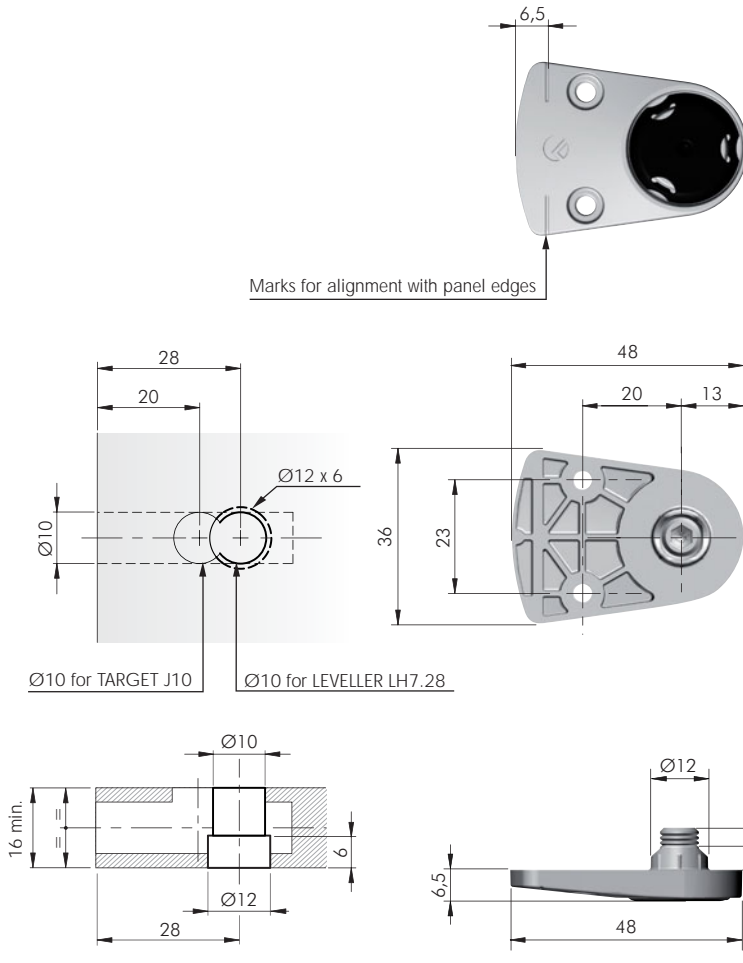


ADJUSTMENT

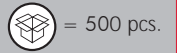


COVER CAP INSERTING





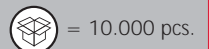
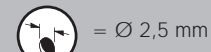
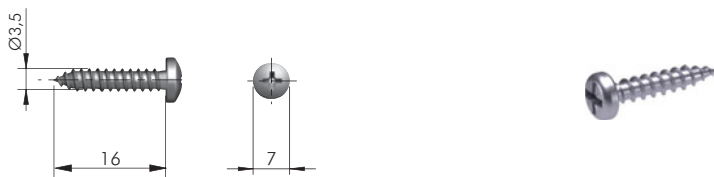
ADJUSTMENT 0 - 5 mm



21836280ZN

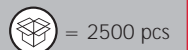


LH7.28 LEVELLER ACCESSORY



60103140ZN

LH7.28 LEVELLER COVER CAP



P1707891AB

P1707891EE



TARGET J12

TARGET J12 is a structural connecting fitting with high fastening capacity, suitable for mounting with wood dowels.

TARGET J12 is an ideal solution for the installation of cabinets in tight spaces. It provides the possibility of pre-assembling into the panels without obstructing the packaging.

The through-passing hole allows to adjust the leveller placed underneath with a common allen wrench.

FEATURES AND BENEFITS

Easy pre-assembling

Simple pre-insertion into the panels. Conceived for automatic assembling.

Suitable for furniture in kit

Its unique features make TARGET the ideal solution for kit furniture.

No hardware kits

There is no need of hardware kits.

High-speed assembling

Mounting is extremely fast and efficient thanks to the pre-assembling of the panels.

Strong structural fastening

The panels are hard and securely fastened, therefore the cabinet is 100% stress-resistant.

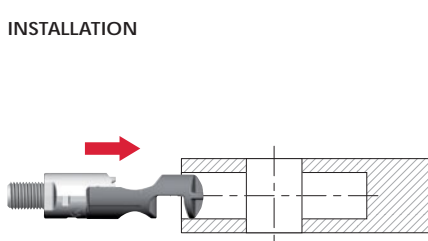
Wide range of applications

Practical solution for a wide range of applications.

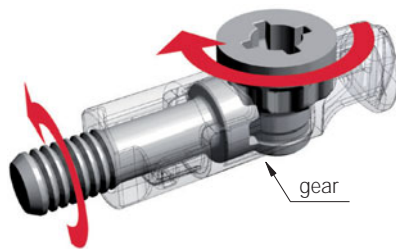
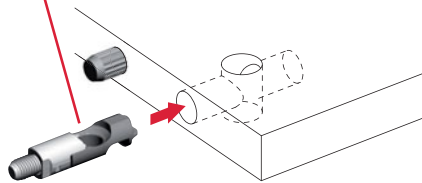
15 - 25 mm



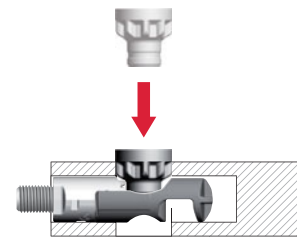
INSTALLATION



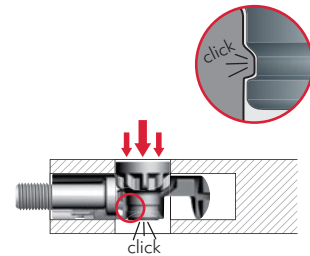
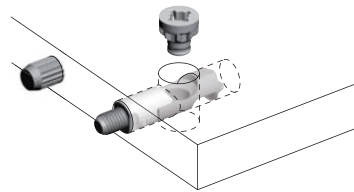
VERY IMPORTANT
Insert TARGET connecting with countersunk hole on top.



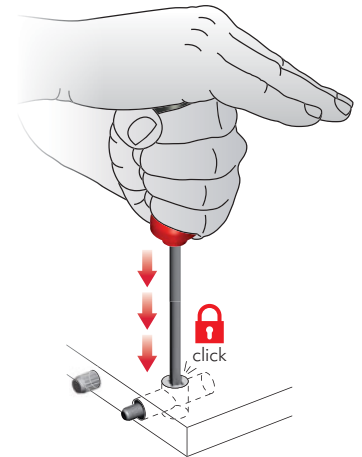
By turning the pinion screw, the threaded dowel makes a synchronized rotation.



Place the pinion screw from above.



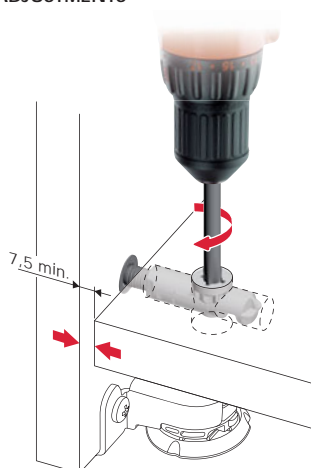
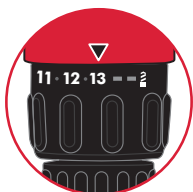
Press strongly with PZ2 cross screwdriver to slot the pinion screw in.



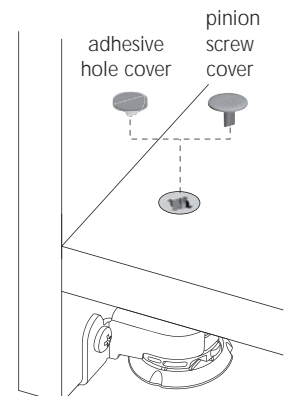
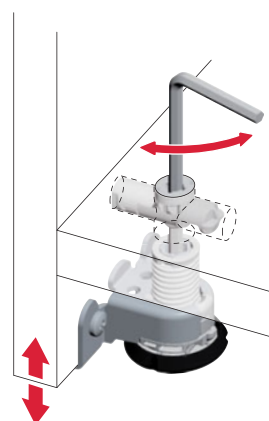
ASSEMBLING AND LEVELLER ADJUSTMENTS

VERY IMPORTANT

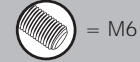
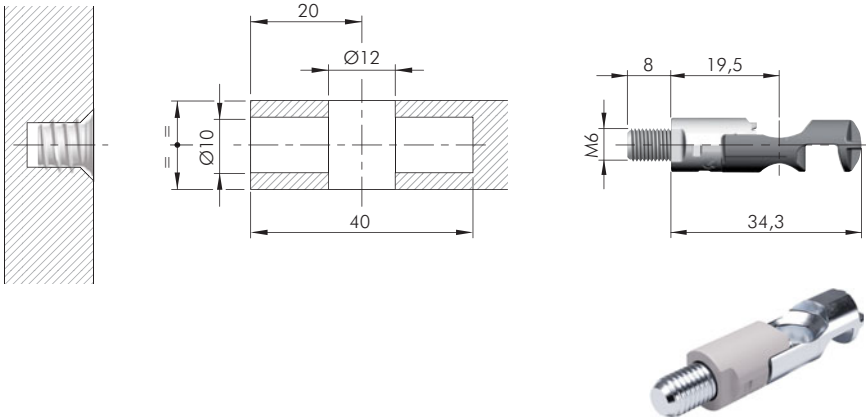
Cordless driver drill to be used **ONLY** with friction mode on.



For details about adjustable levellers for TARGET J12 refer to the related sections.



TARGET J12



= M6

ZA

ST

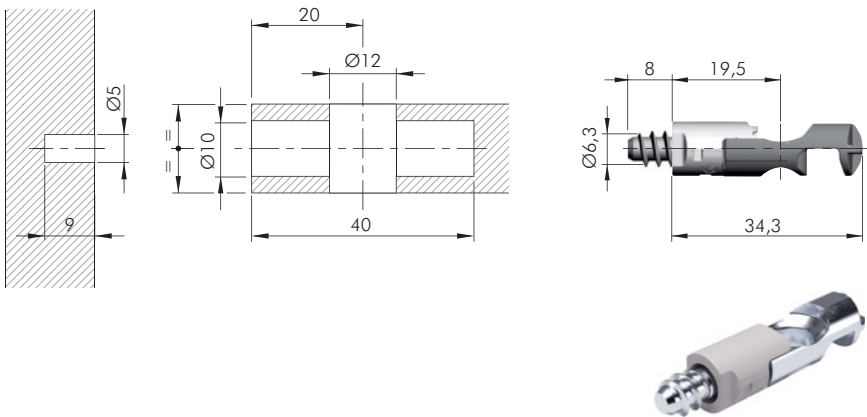
EP



= 1000 pcs.



21807160ZN



ZA

ST

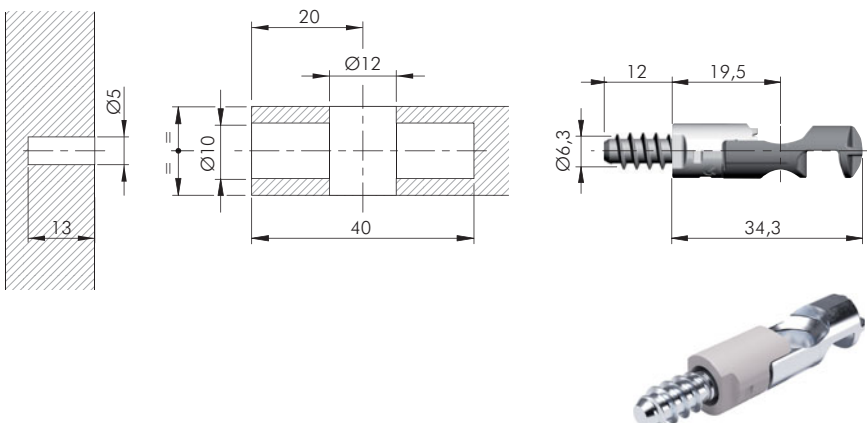
EP



= 1000 pcs.



21808160ZN



ZA

ST

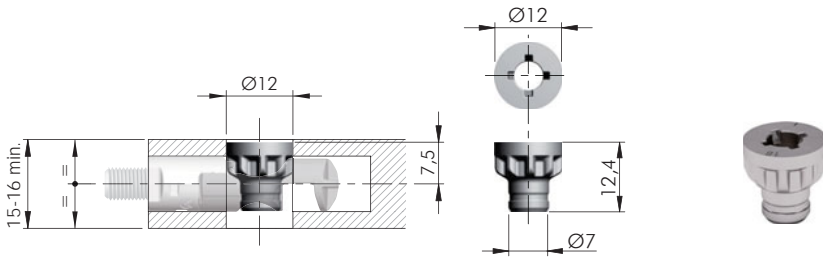
EP



= 1000 pcs.

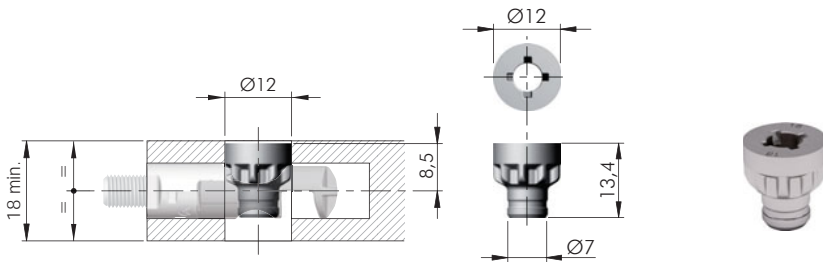


21808240ZN



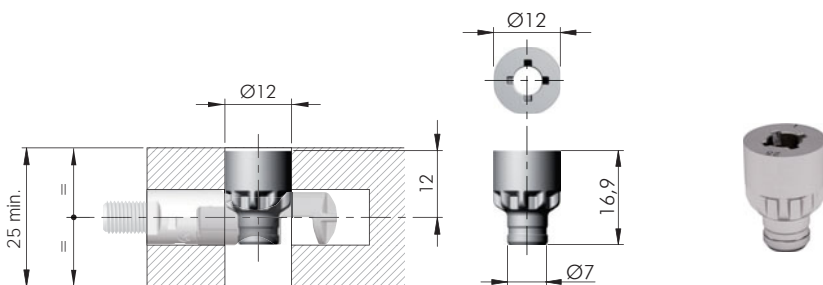
= PZ2 = Ø 12 mm
 = 15-16 mm min.
 = 2000 pcs.

123
21822160YA



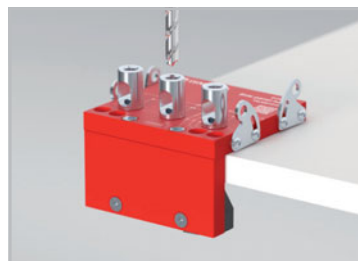
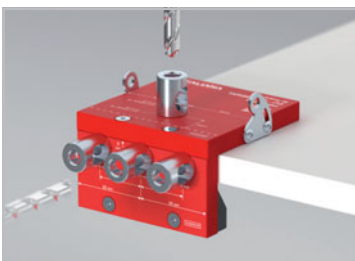
= PZ2 = Ø 12 mm
 = 18 mm min.
 = 2000 pcs.

123
21822320YA



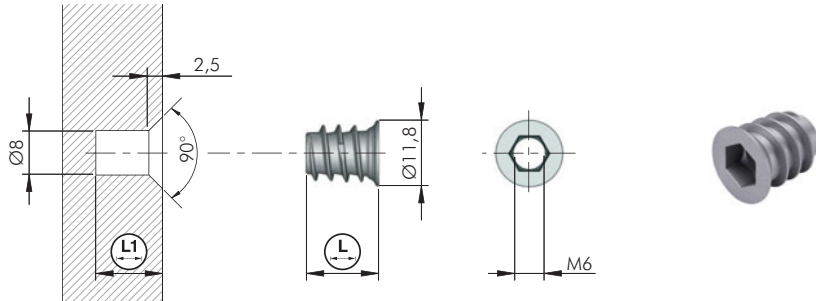
= PZ2 = Ø 12 mm
 = 25 mm min.
 = 2000 pcs.

123
21822340YA



All information about drilling jigs are available at the end of the section Target.

TARGET FIXING ACCESSORIES

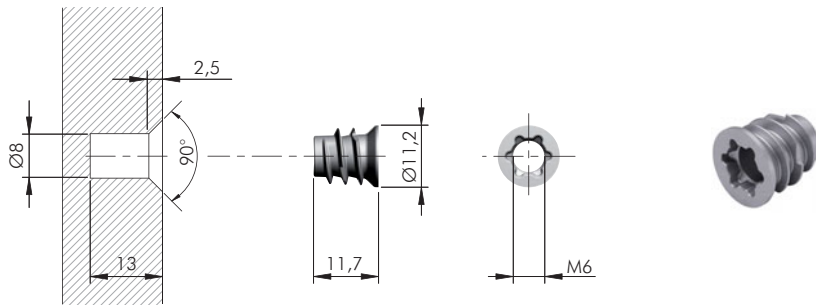


= Ø 8 mm
 = M6
 +

= S6

 = 5000 pcs.

20102010GR		10	12
20102020GR		13	15
20102040GR		17	19

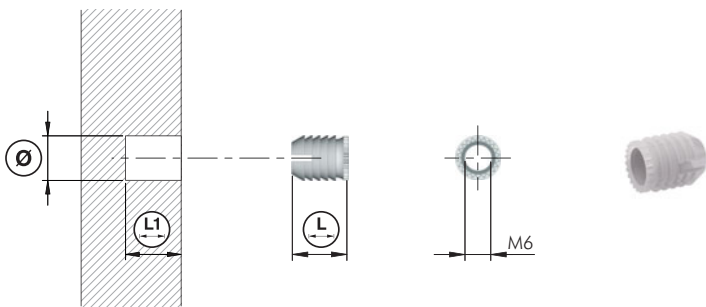


= Ø 8 mm
 = M6
 +

= T45

 = 5000 pcs.

20102150GR



= Ø 8, Ø 10 mm

20303030AA	8	11	13	5000
20304030AA	10	11	13	1000
20304040AA	10	13	15	1000

TARGET J12 PINION SCREW COVER

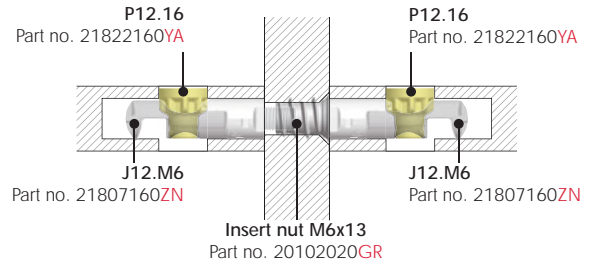
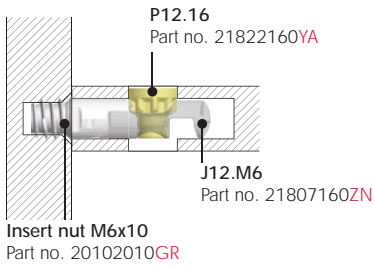


= 5000 pcs.

21894000AB
 21894000IJ
 21894000EE

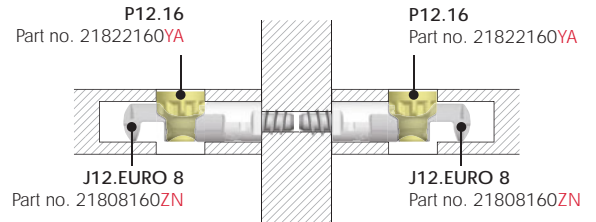
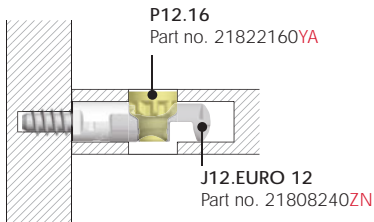


M6 thread

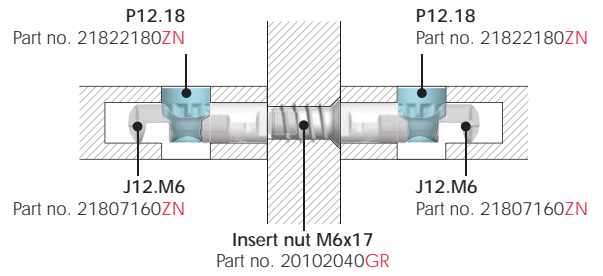
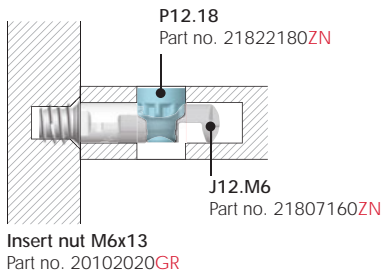


16 mm

Euro thread

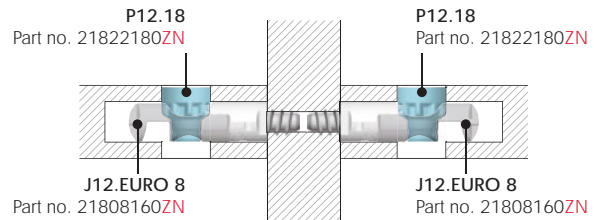
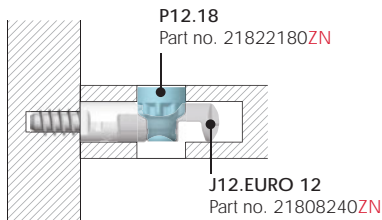


M6 thread

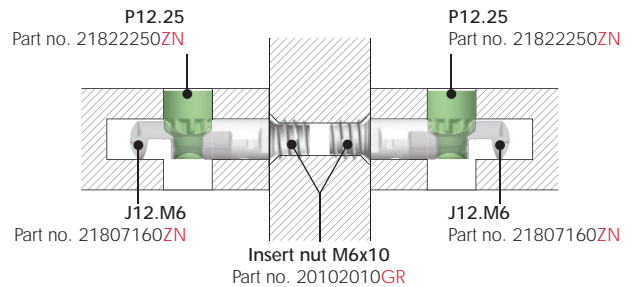
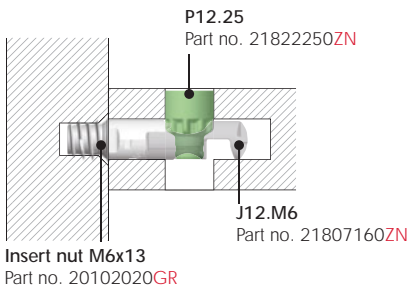


18 mm

Euro thread

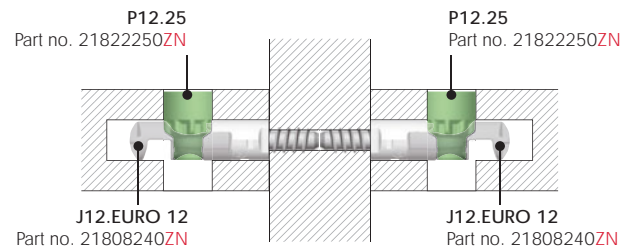
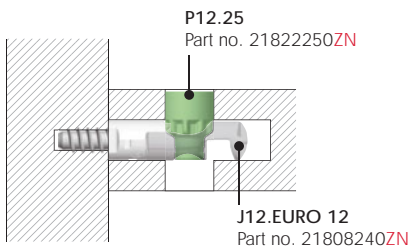


M6 thread



25 mm

Euro thread



LH7.20 ADJUSTABLE LEVELLER FOR TARGET J12

LH levlers include a range of adjustable feet especially conceived for cabinet construction with TARGET J10 and TARGET J12.

Both LH7.28 and LH7.20 are suitable for wall units with weight-bearing bottoms and offer 5 mm adjustment with leveller safety locking when fully adjusted. The engineering plastic glide is independent to prevent the scratching of the floor. The loading capacity is 150 Kg each for both versions.

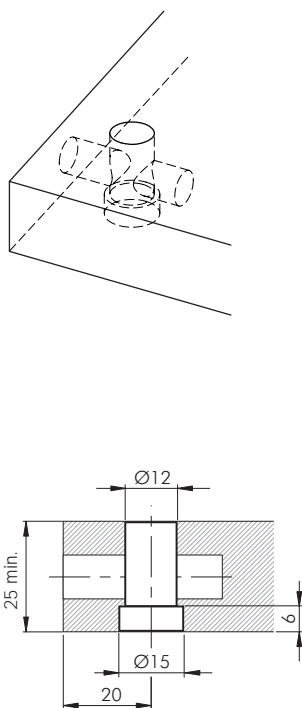
Specific features of LH7.20

- Minimum panel thickness 25mm in combination with Target J12.
- Adjustment to be carried out with an S4 key through the pinion hole (no need for extra drilling).

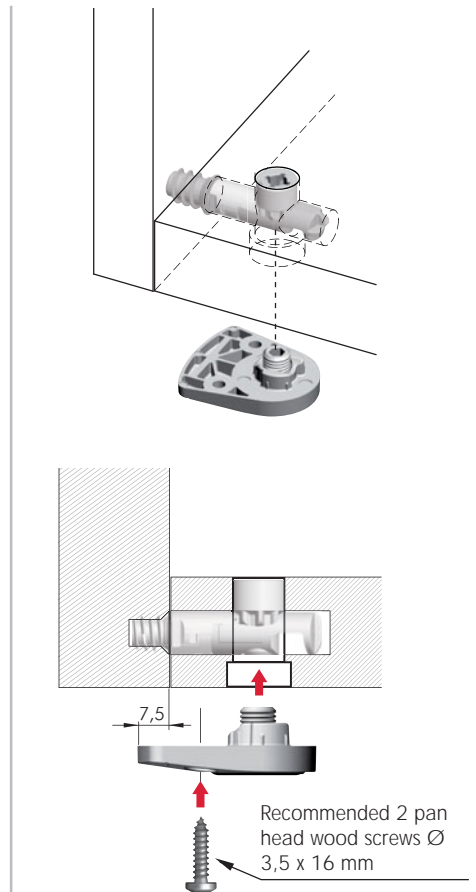
150 Kg per piece



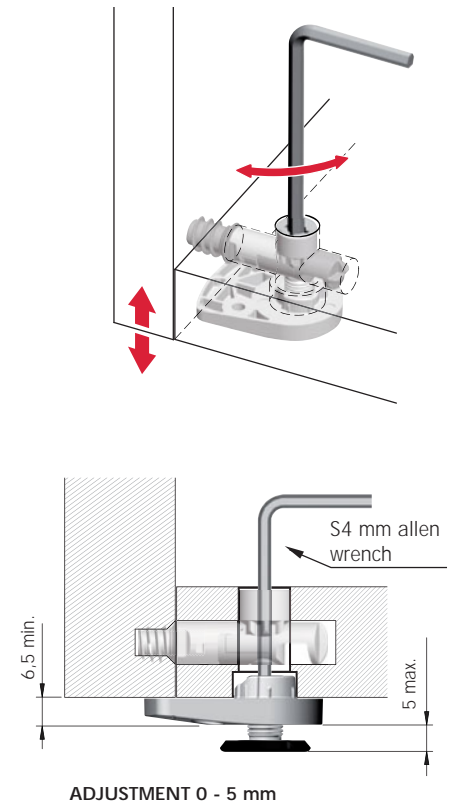
DRILLING PLAN DETAIL



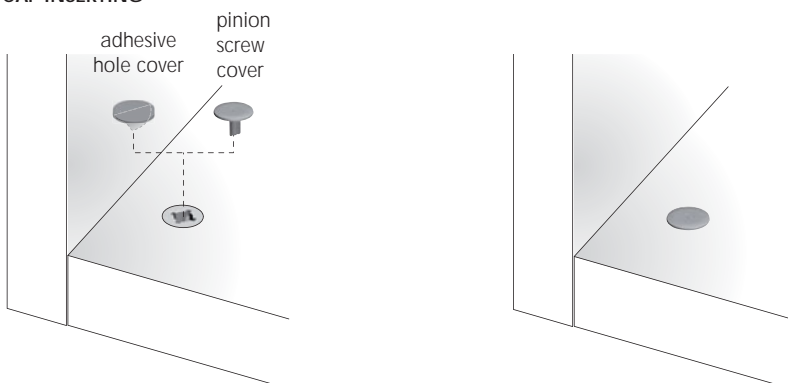
INSTALLATION

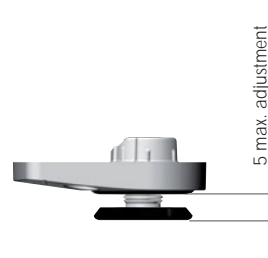
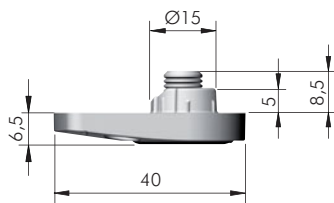
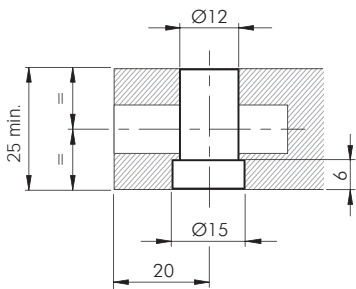
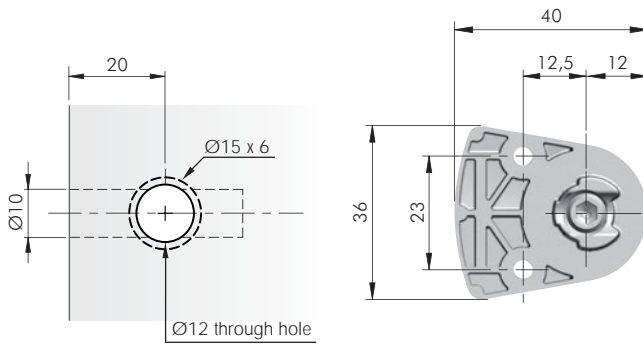
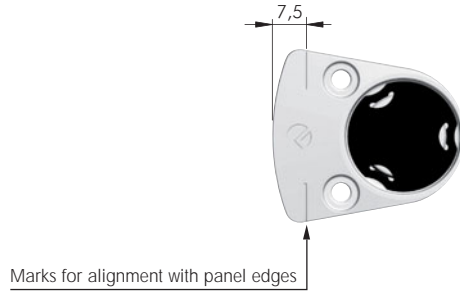


ADJUSTMENT



COVER CAP INSERTING





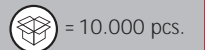
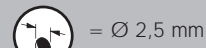
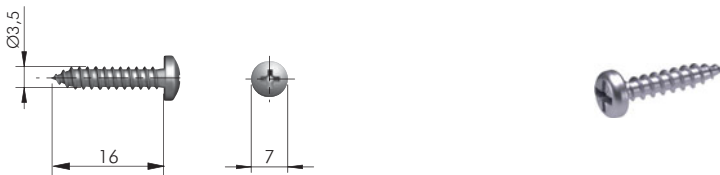
ADJUSTMENT 0 - 5 mm



21836200ZN

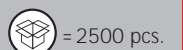
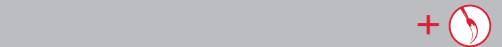
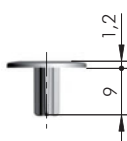


LH7.20 LEVELLER ACCESSORY



60103140ZN

TARGET J12 PINION SCREW COVER



21894000AB

21894000IJ

21894000EE

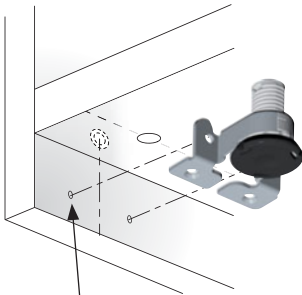
INTEGRATO TECH WITH TARGET J12



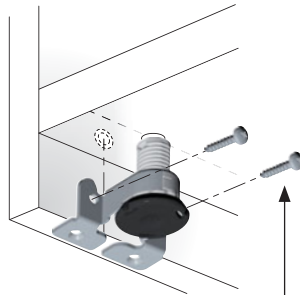
175 Kg per piece



INSTALLATION

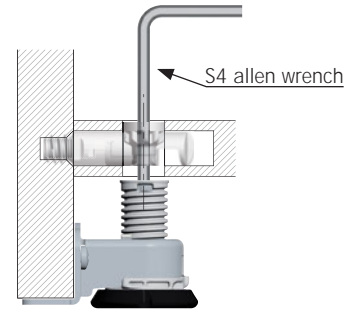


VERY IMPORTANT:
Pre-drilling must be exactly aligned to TARGET positioning.

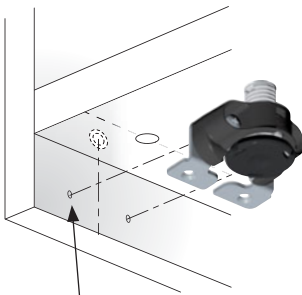


Recommended fixing 2 pan head wood screw Ø 4 x 15 mm

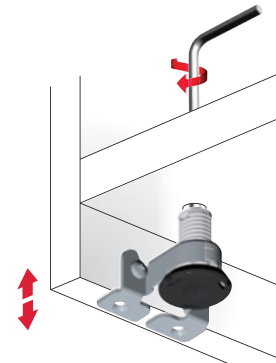
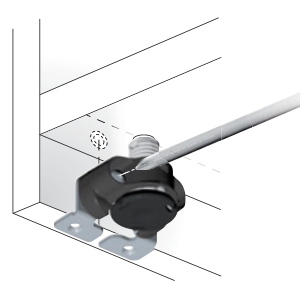
ADJUSTMENT



INTEGRATO TECH WITH PRE-MOUNTED SCREWS

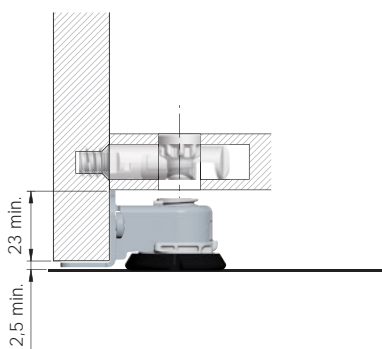


VERY IMPORTANT:
Pre-drilling must be exactly aligned to TARGET positioning.

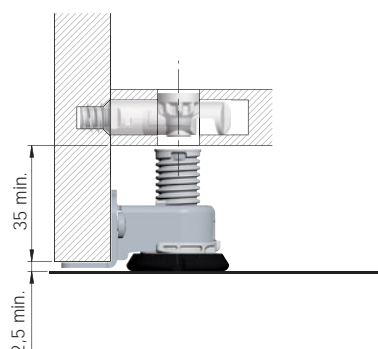


INTEGRATO TECH VERSIONS

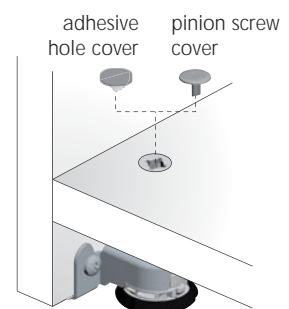
Adjustment 0 - 12 mm



Adjustment 0 - 20 mm

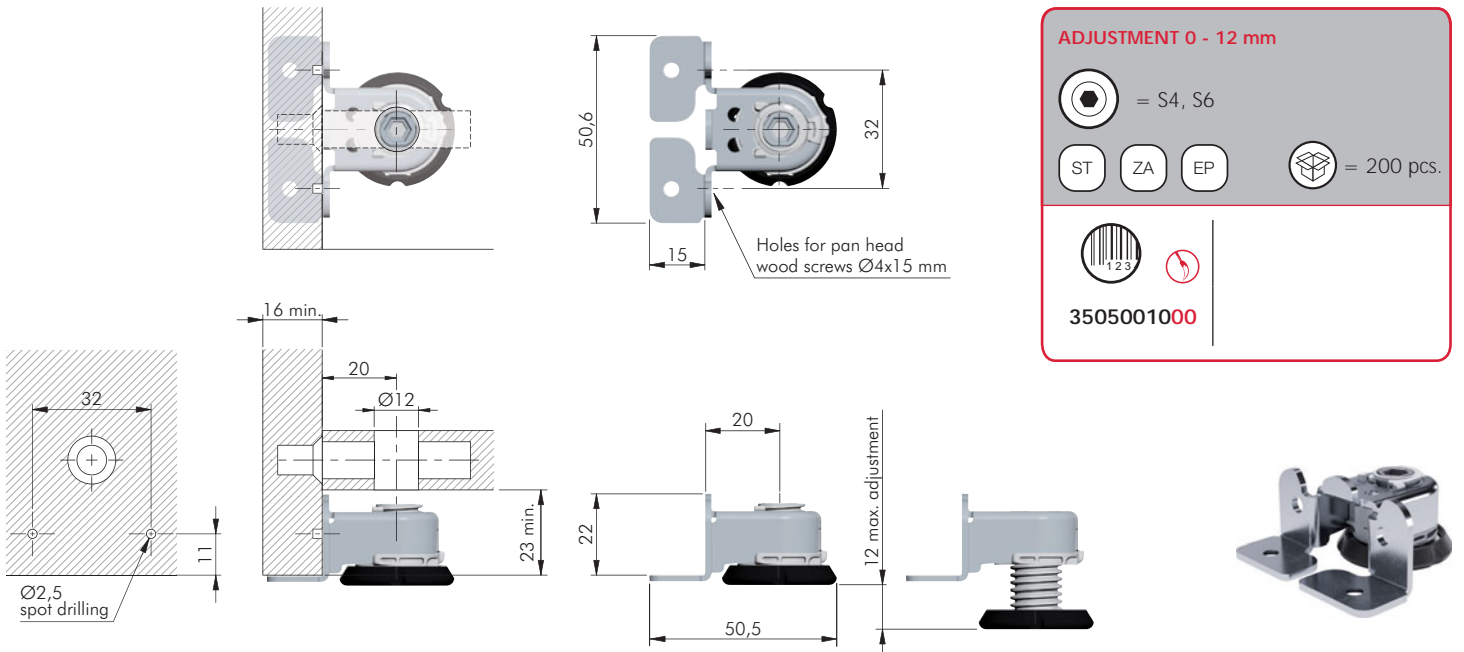


COVER CAP INSERTING

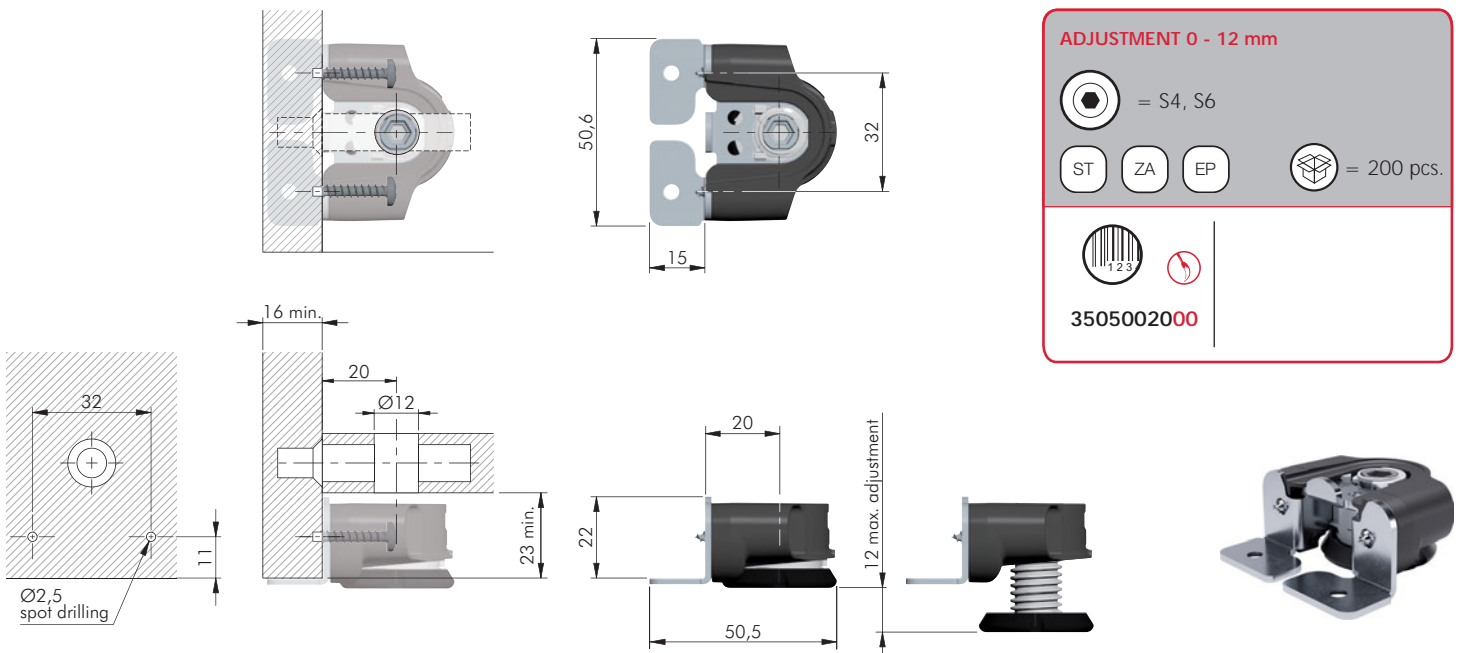


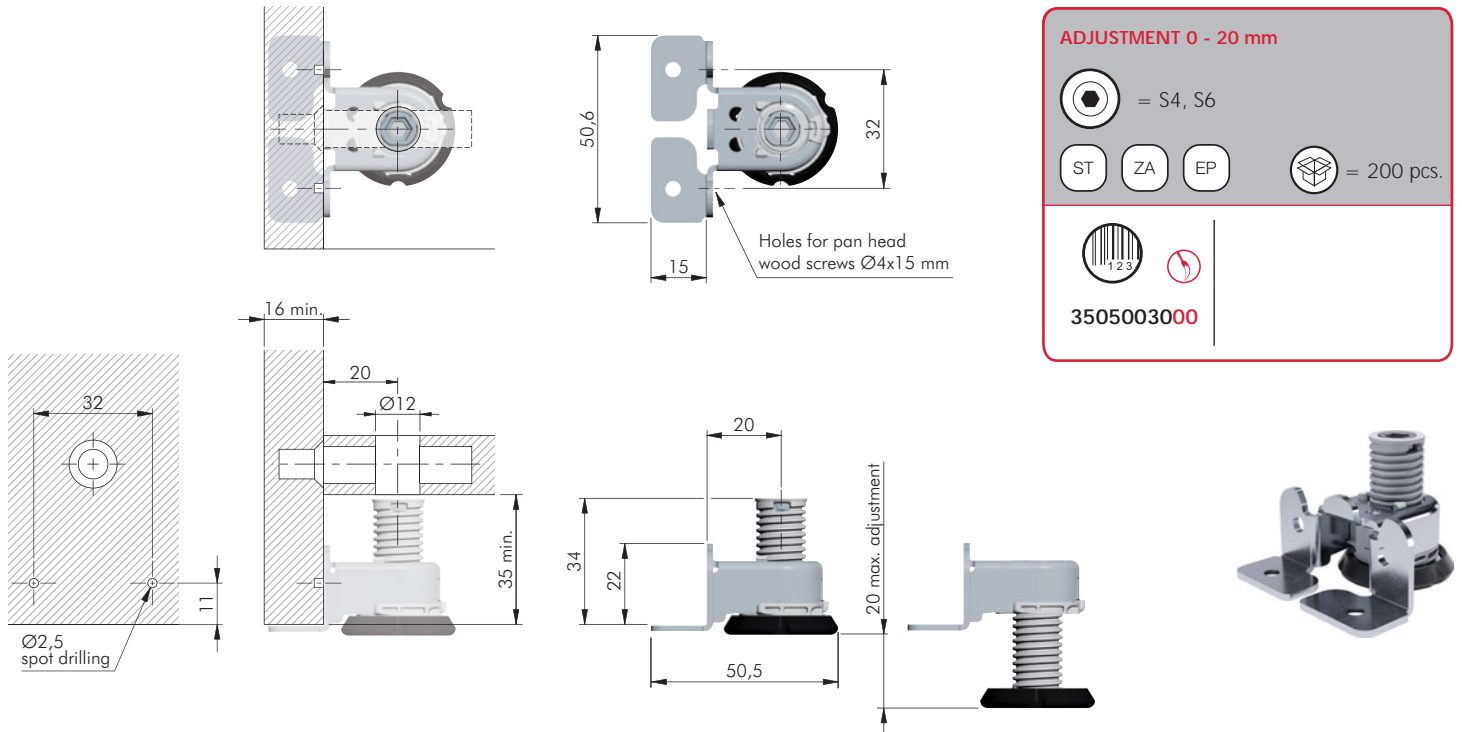
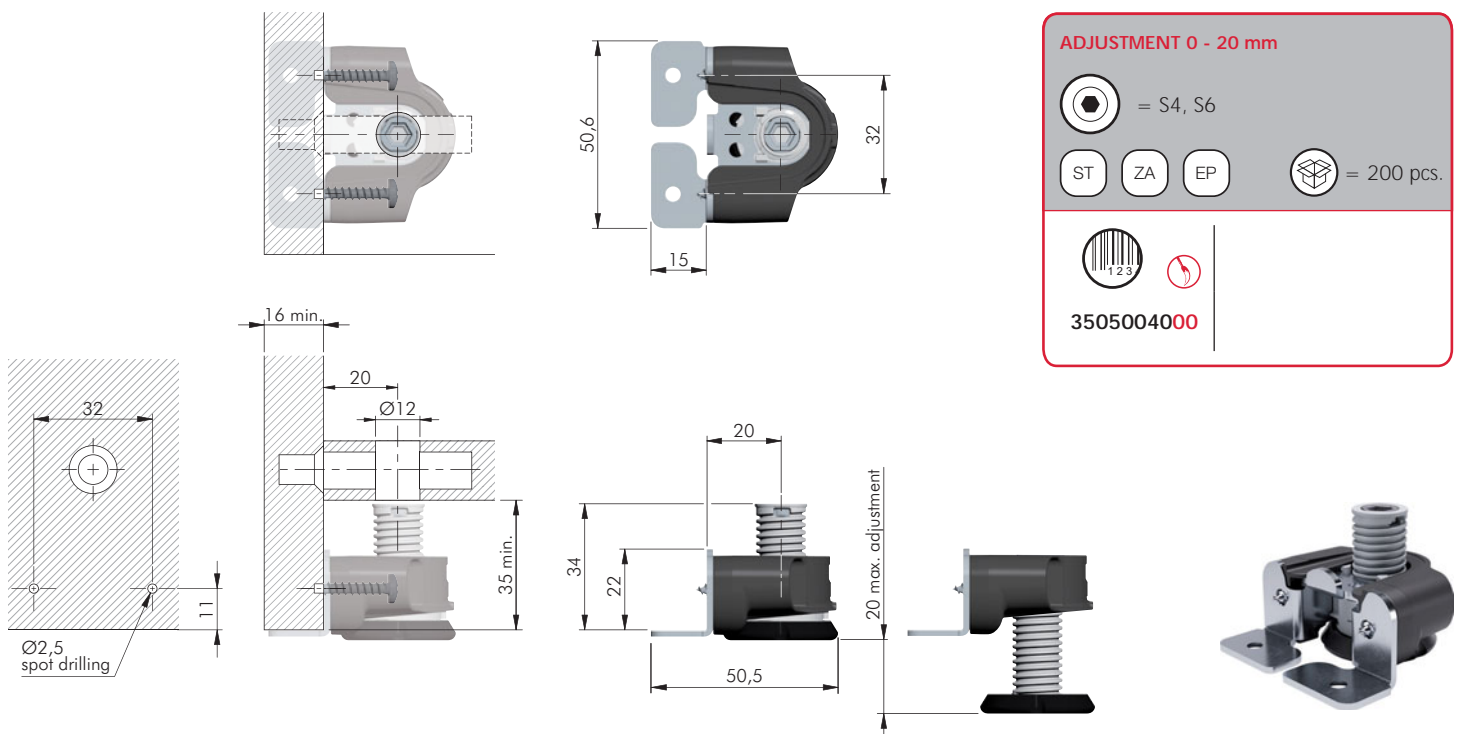


INTEGRATO TECH "A" ADJUSTMENT 12 mm



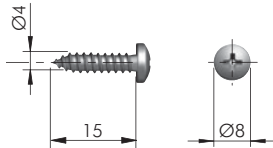
INTEGRATO TECH "A" ADJUSTMENT 12 mm WITH PRE-MOUNTED SCREWS



INTEGRATO TECH "A" ADJUSTMENT 20 mm**INTEGRATO TECH "A" ADJUSTMENT 20 mm WITH PRE-MOUNTED SCREWS**

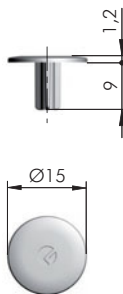


INTEGRATO TECH FIXING ACCESSORY



= Ø 3 mm	+
= PZ2	
ST	= 1000 pcs.
123	
60103230ZN	

TARGET J12 PINION SCREW COVER



	+
EP	= 2500 pcs.
123	
21894000AB	
21894000IJ	
21894000EE	

LH60.20 ADJUSTABLE LEVELLER FOR TARGET J12

LH levellers include a range of adjustable feet especially conceived for cabinet construction with TARGET J10 and TARGET J12.

LH60.20 is suitable for heavy duty wardrobes, bookcases, modular furniture, office furniture.

In particular it is conceived for furniture with 16 mm minimum thickness in the bottom panel and plinths of 60mm high.

It is possible to adjust the leveller from above, by using a S4mm allen wrench. The adjustment is 0-25 mm.

The loading capacity is 175 Kilos each.

If LH60.20 is installed with Target J12 the adjustment can be carried out through the pinion screw, thus avoiding visible holes on the panel.

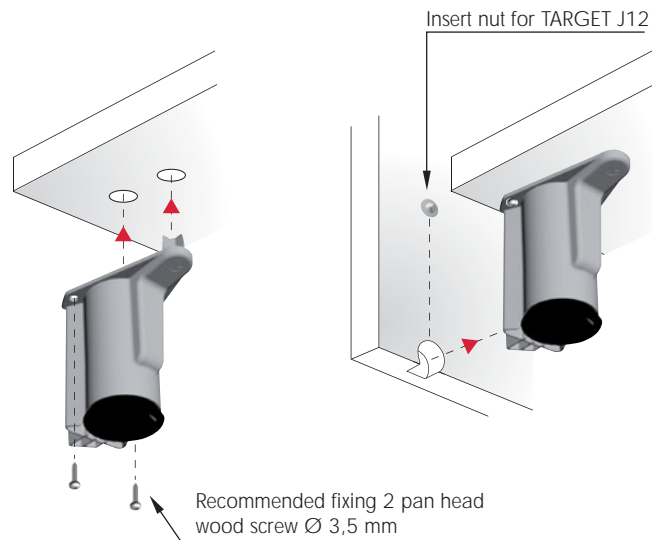
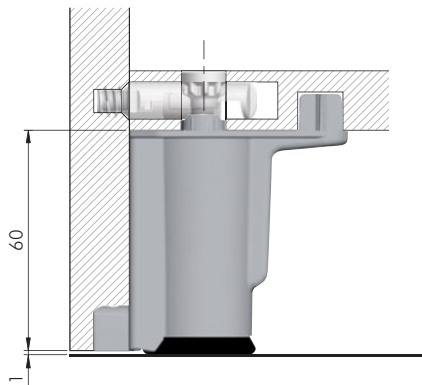
A lateral pin slots into the furniture to achieve a structural connection, as well as an equal load distribution over the furniture side and base.

The zinc alloy foot is provided with an independent plastic glide for easier adjustment and to prevent floor scratching.

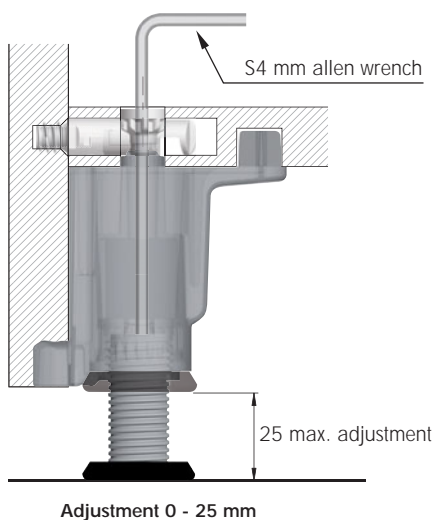
175 Kg per piece



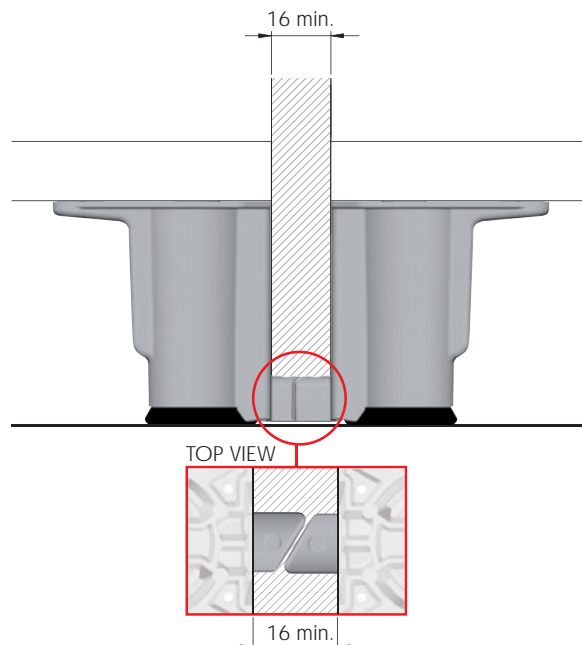
INSTALLATION

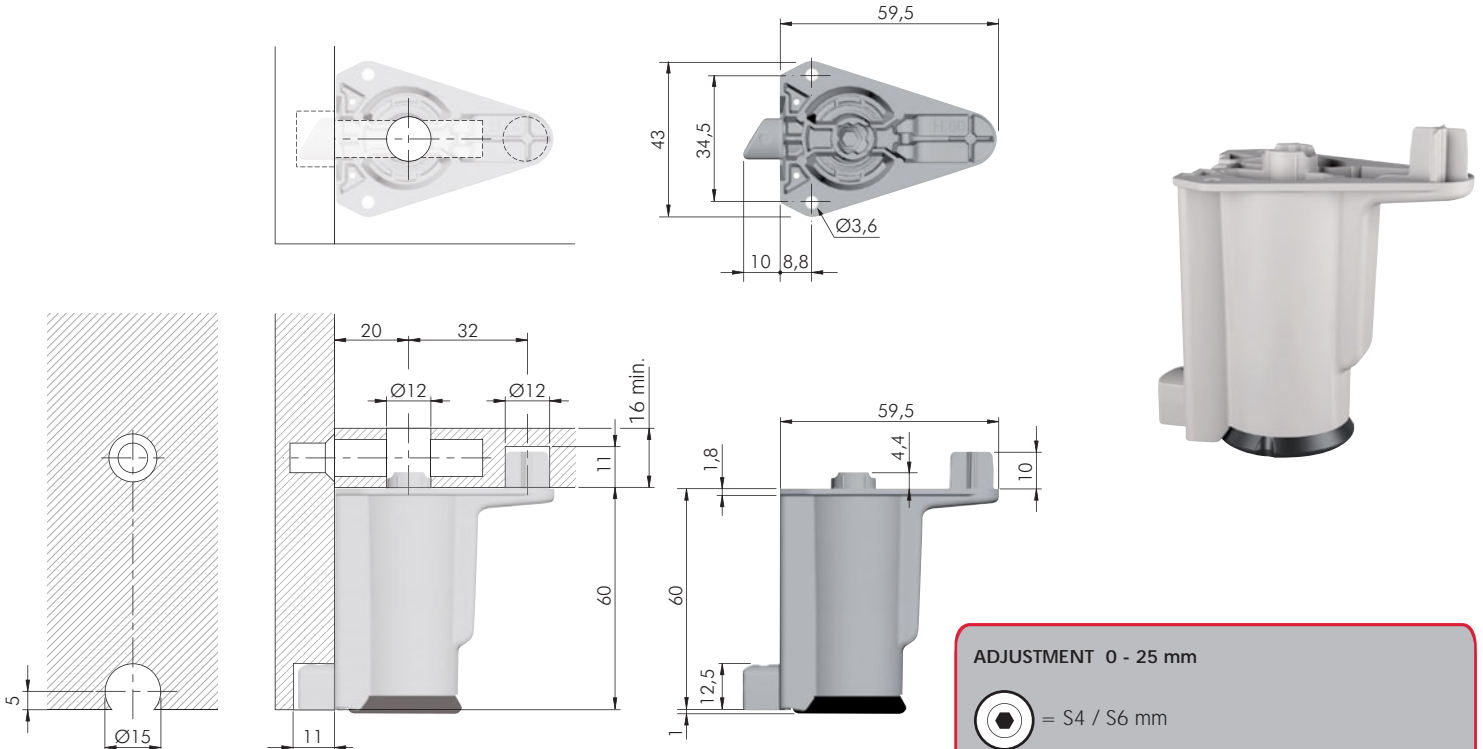


ADJUSTMENT



APPLICATION FOR PARTITION 16 mm THICK





ADJUSTMENT 0 - 25 mm

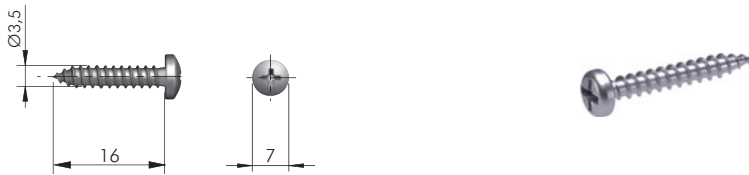
= S4 / S6 mm

ZA EP = 70 pcs.

|

P1801761IJ

LH60.20 LEVELLER ACCESSORY



= Ø 2,5 mm

= PZ2

ST = 10.000 pcs.

|

60103140ZN

TARGET J12 PINION SCREW COVER



EP = 2500 pcs.

|

21894000AB
21894000IJ
21894000EE



TARGET J12

TARGET J12 + INTEGRATO TECH "A"
TARGET J12 + LEVELLER LH7.20

**WIDE RANGE OF APPLICATIONS**

Practical solution for a wide range of applications.

**SUITABLE FOR FURNITURE IN KIT**

Its unique features make TARGET the ideal solution for kit furniture.

**NO HARDWARE KITS**

There is no need of hardware kits.

**EASY PRE-ASSEMBLING**

Simple pre-insertion into the panels. Conceived for automatic assembling.

**STRONG STRUCTURAL FASTENING**

The panels are hard and securely fastened, therefore the cabinet is 100% stress-resistant.

**HIGH-SPEED ASSEMBLING**

Mounting is extremely fast and efficient thanks to the pre-assembling of the panels.

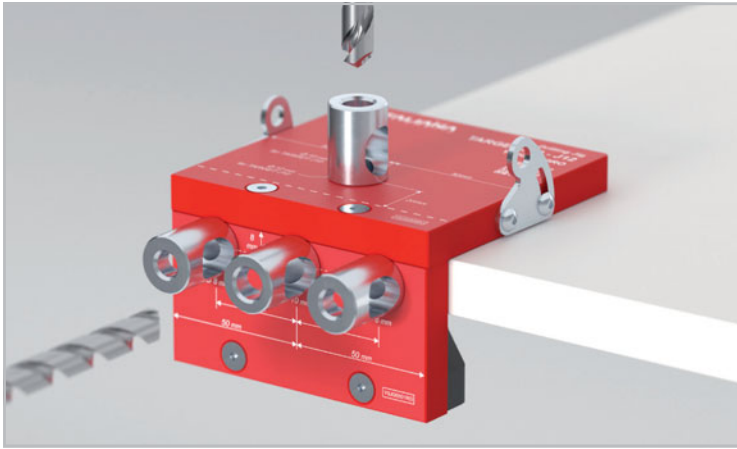


TARGET J10

TARGET J10 + LEVELLER LH7.28

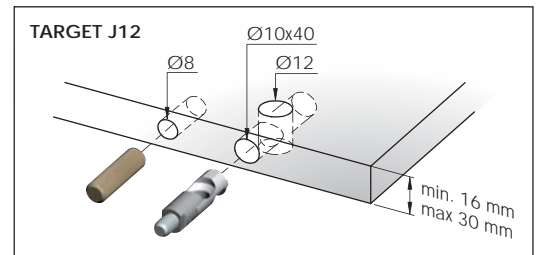
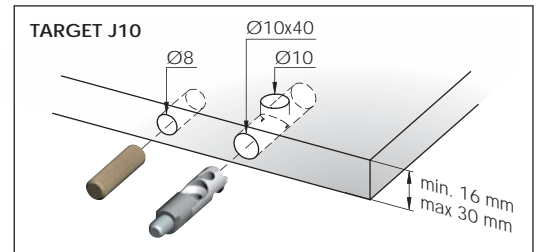
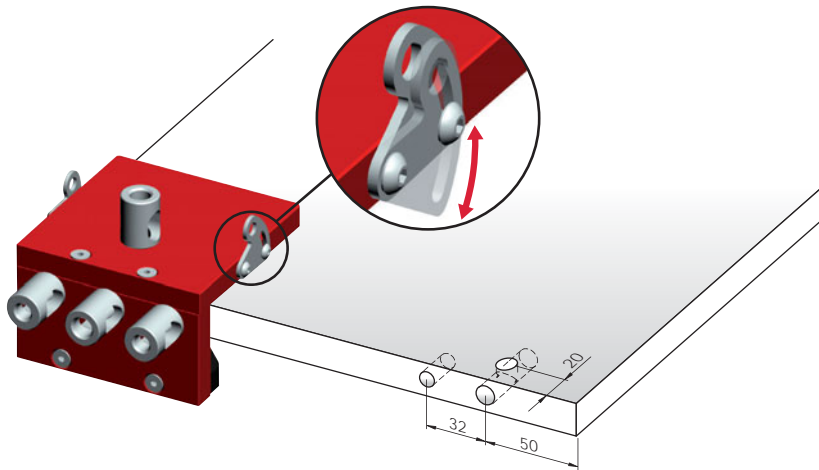


DRILLING JIG FOR TARGET J10-J12

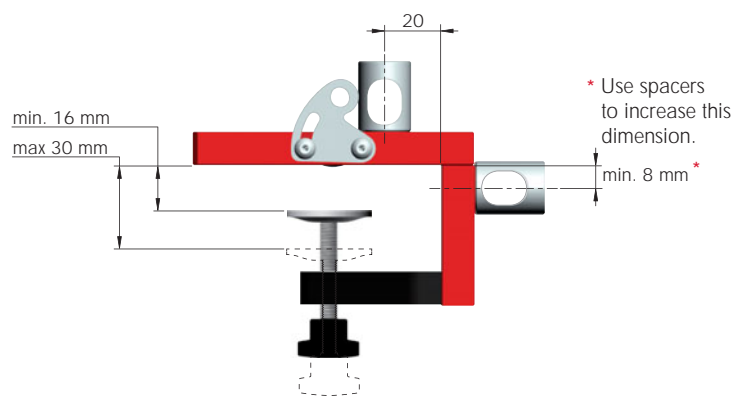
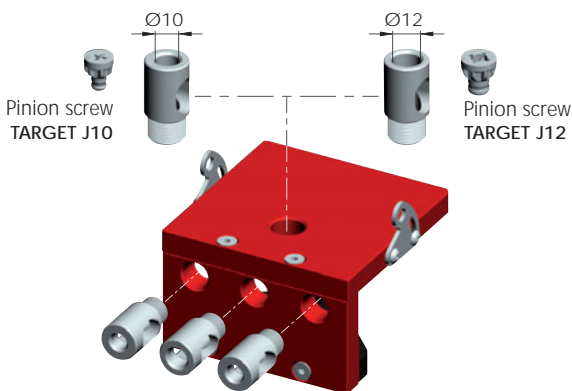


16 - 30 mm

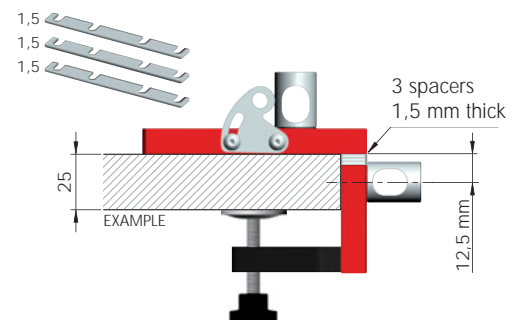
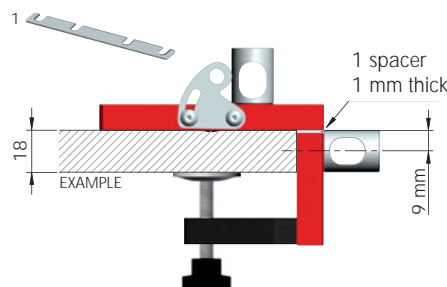
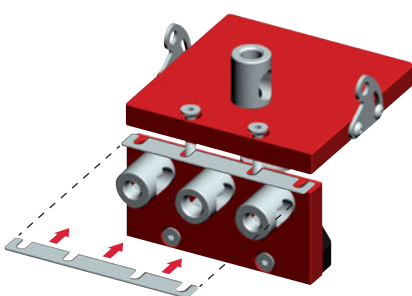
GENERAL SPECIFICATIONS



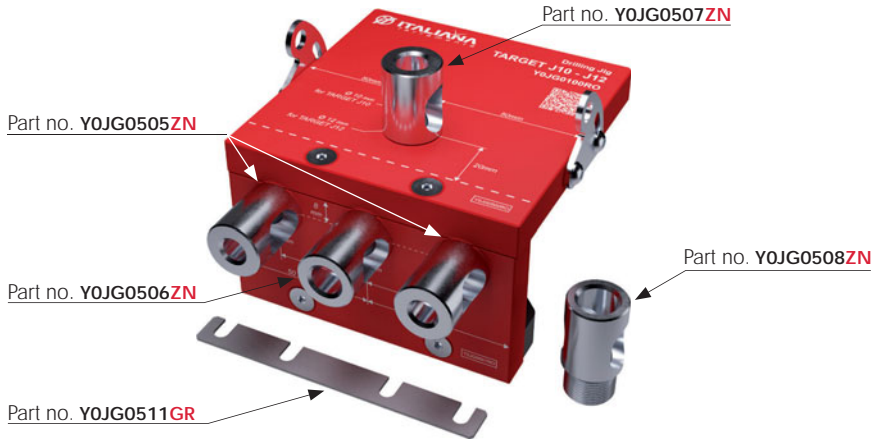
APPLICATION OPTIONS



DRILLING SPACERS FOR OTHER PANEL THICKNESSES



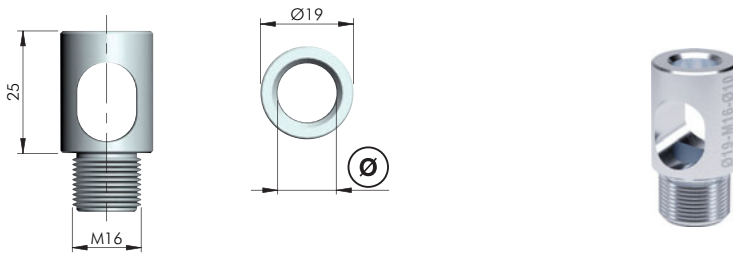
TARGET J10-J12 DRILLING JIG FOR PANEL THICKNESS 16 AND 18 mm



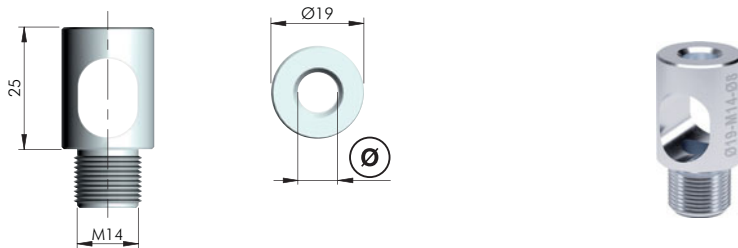
AL	ST	EP	= on request
YOJG0100RO			

NOTE: The product code includes all the components shown in the picture.

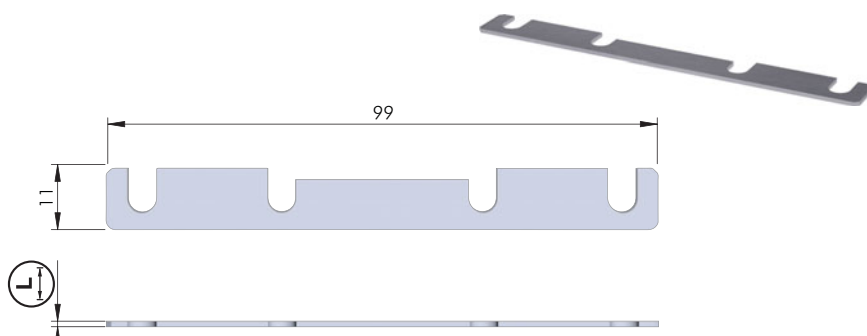
TARGET J10-J12 DRILLING JIG ACCESSORIES



= M16		
ST	= on request	
YOJG0507Zn		Ø10
YOJG0508Zn		Ø12



= M14		
ST	= on request	
YOJG0505Zn		Ø8
YOJG0506Zn		Ø10



AL	= on request	
YOJG0511GR		1
YOJG0512GR		1,5

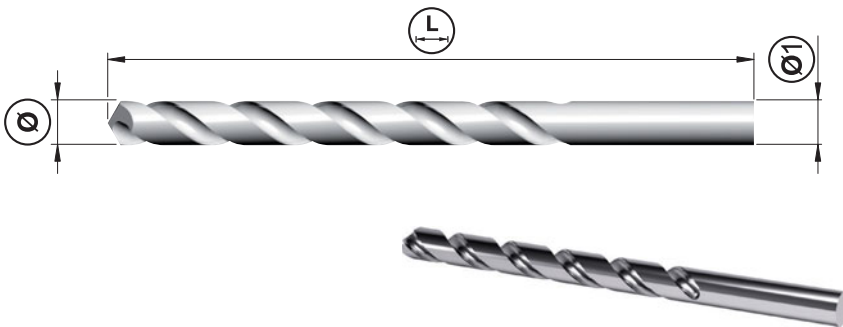


DRILLING JIG DEPTH STOP COLLARS



ST		= on request	
YOJG051700		Ø8	
YOJG051800		Ø10	
YOJG051900		Ø12	

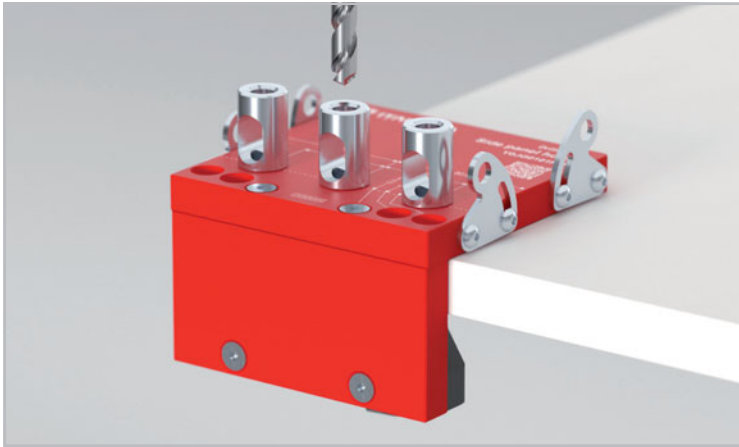
DRILL BITS



HSS		= on request		
YOJG052800		Ø8	117	Ø8
YOJG052900		Ø10	133	Ø10
YOJG053000		Ø12	150	Ø10

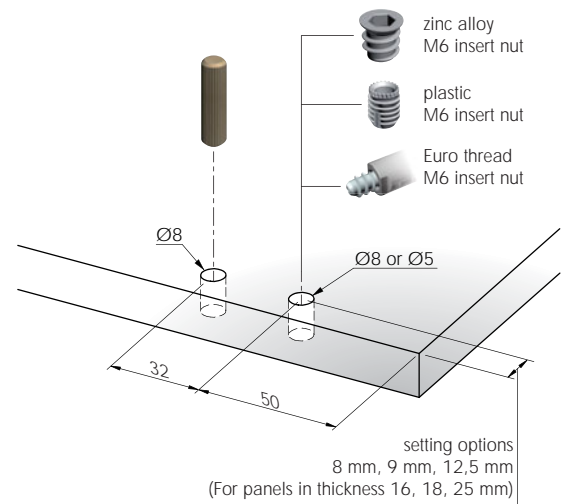
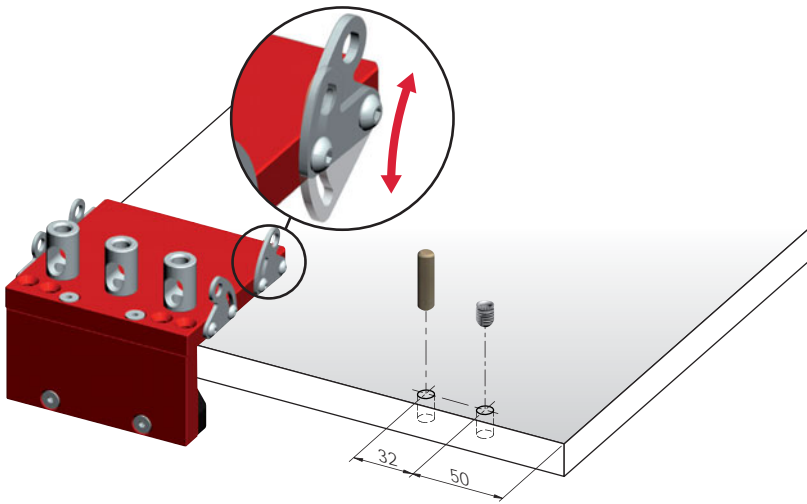
NOTE: For drilling jig we recommend to use precision-ground steel drill bit HSS-G.

DRILLING JIG FOR SIDE PANELS

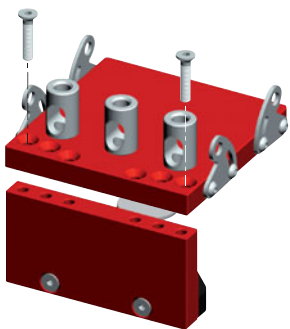


16 - 30 mm

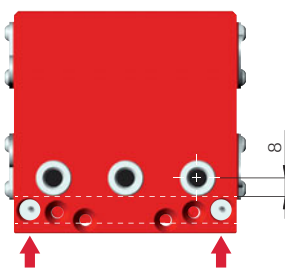
GENERAL SPECIFICATIONS



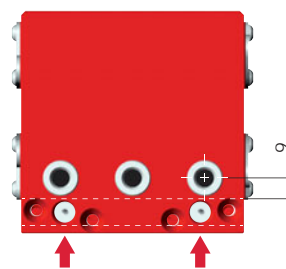
APPLICATION OPTIONS



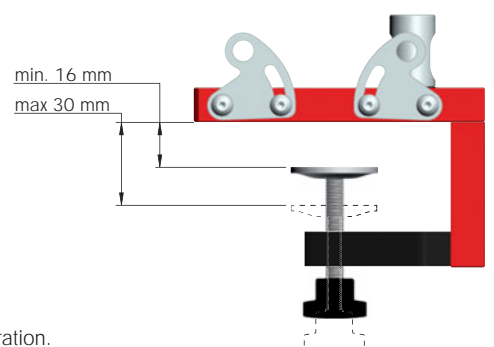
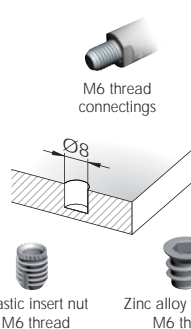
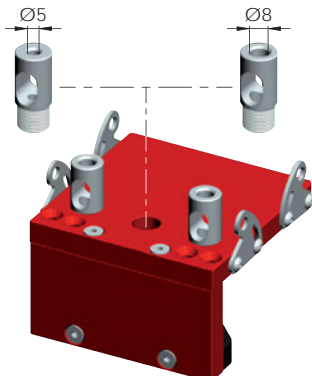
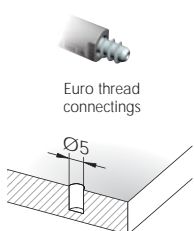
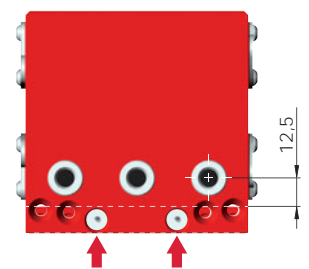
Setting for 8 mm
(for panel thk. 16 mm)



Setting for 9 mm
(for panel thk. 18 mm)



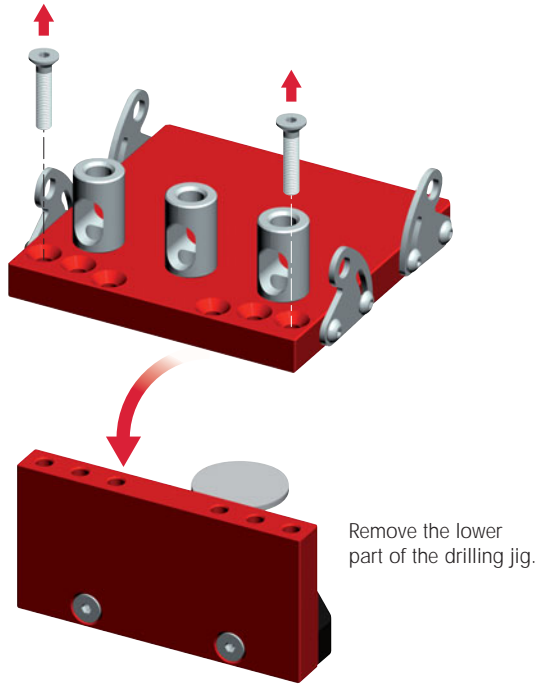
Setting for 12,5 mm
(for panel thk. 25 mm)



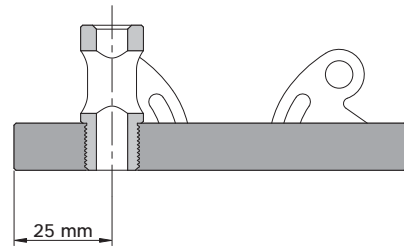
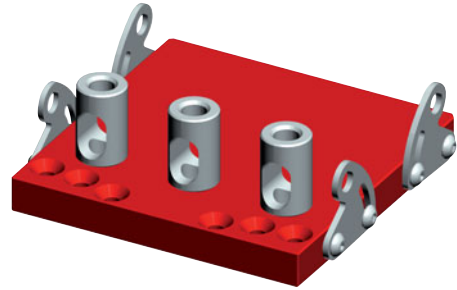
* It requires further countersunk operation.



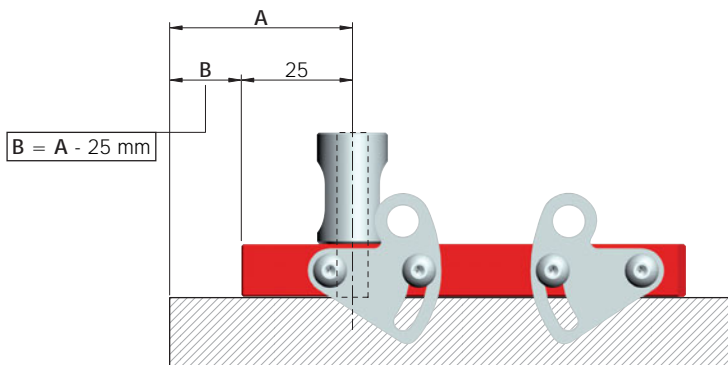
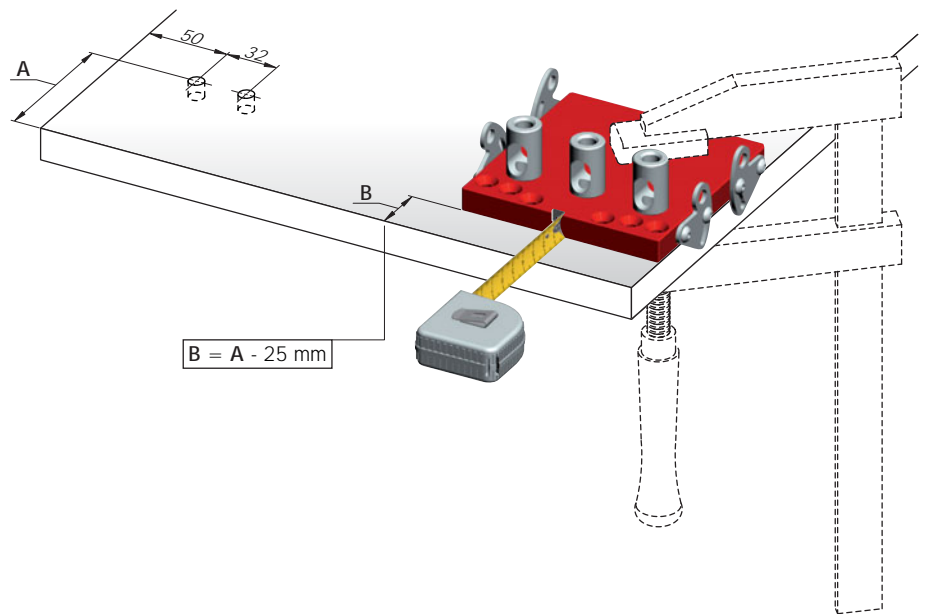
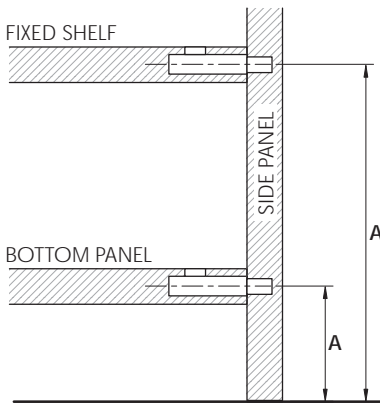
SETTING FOR ALTERNATIVE POSITIONS OF BOTTOM PANELS AND FIXED SHELVES

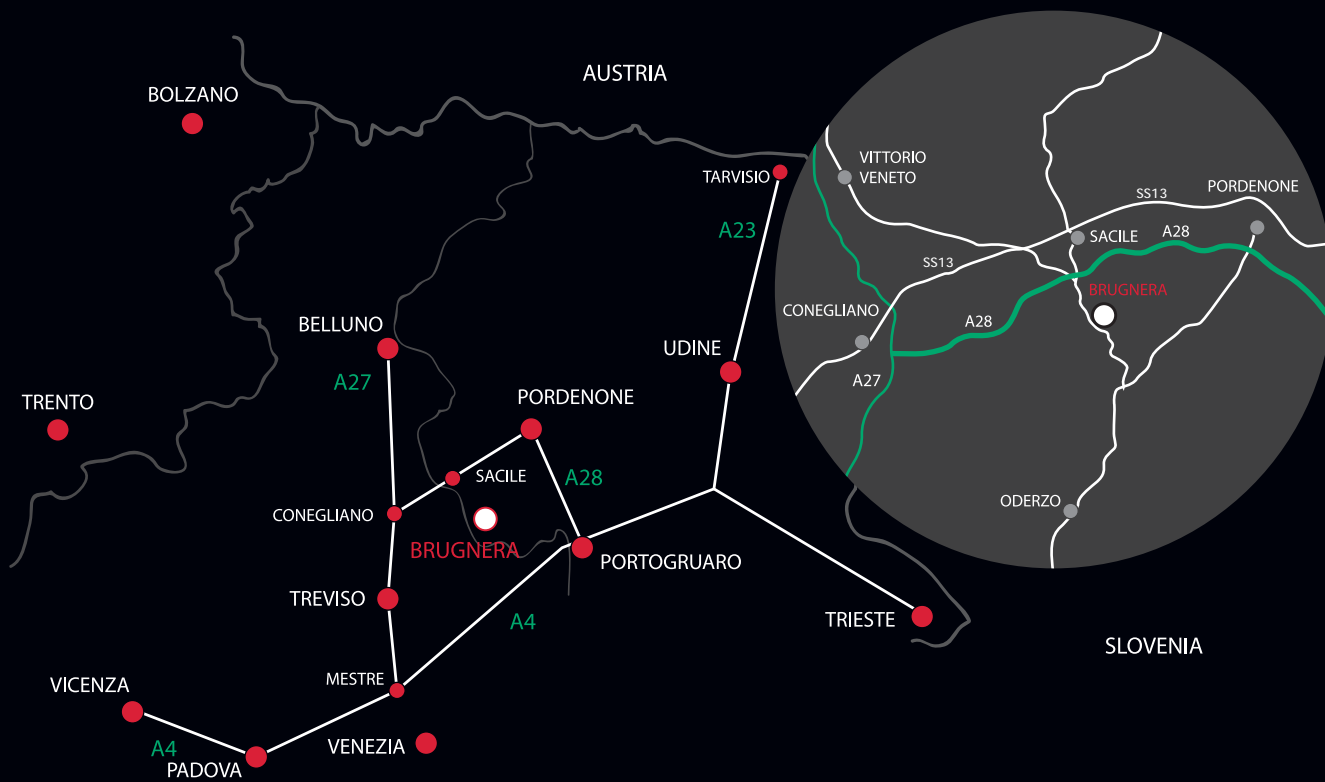


Remove the lower part of the drilling jig.



DRILLING JIG POSITIONING





www.italianaferramenta.it