




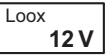








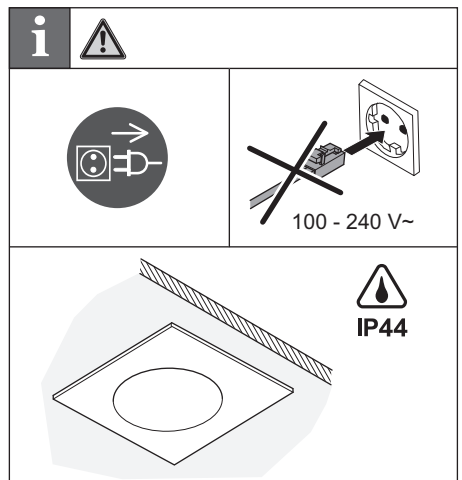
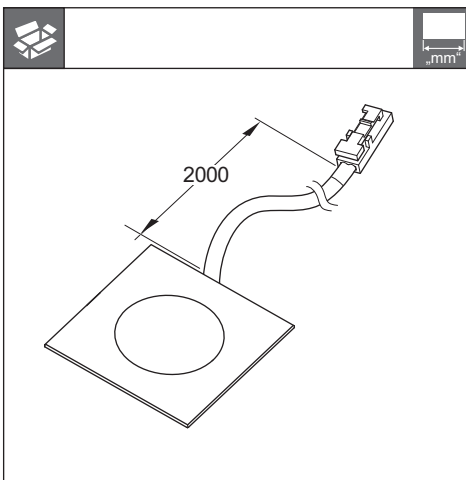


LED 2023





833.72.060	833.72.064
833.72.061	833.72.065
833.72.062	833.72.066
833.72.063	

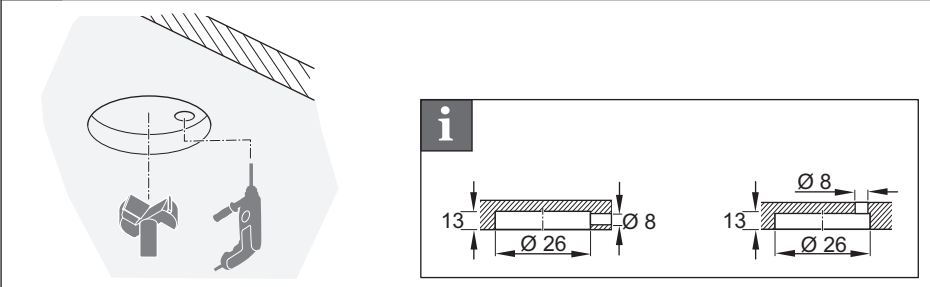
732.28.353

12 V System	K	W	T _A	 mm	 mm	
833.72.060  833.72.064 	3000 K	1.5 W	-20 °C – +35 °C -4 °F – +95 °F	30 x 30 x 14	40 x 40 x 24	 Loox 12 V
833.72.061  833.72.065 	4000 K					
833.72.062  833.72.066 	5000 K					
833.72.063 	3000 K					
						

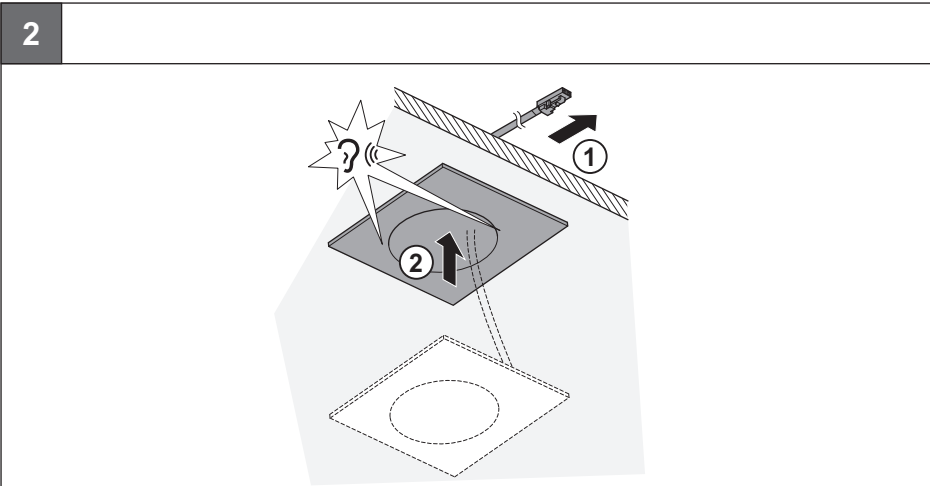


HDE 03/2015

1  26 mm   8 mm 

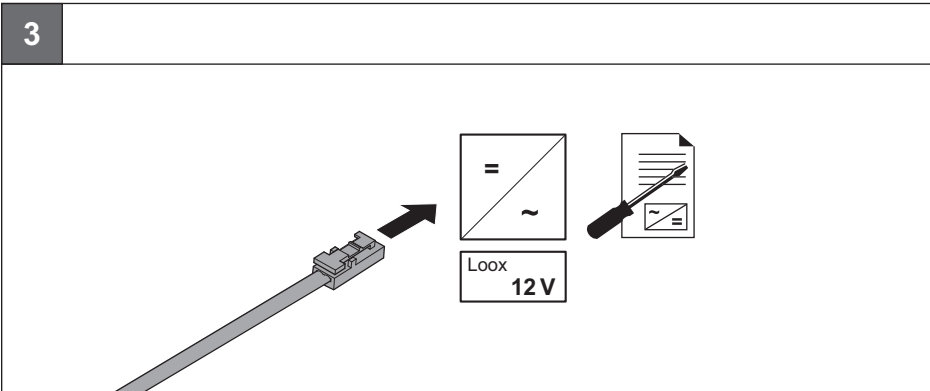


2



732.26.353

3



HDE 03/2015